



Finnpipette® F2 **Single Channel** **Variable & Fixed Volume** **Multichannel**

Instructions for Use
Bedienungsanleitung
Guide d'utilisation
Instrucciones de uso
取扱説明書

This product complies with the European Union Directive 98/79/EC, and it is marked with a CE-marking.

When the product is used in applications related to the directive 98/79/EC, read the additional information at www.thermoscientific.com/handleanything or contact the manufacturer at info.pipettes@thermofisher.com to ensure correct and safe use.

The CE-mark covers the system containing the CE-marked Finnpiquette F2 pipette and the CE-marked Finntips.

Product specifications are subject to change without prior notice. Finnpiquette® and Finntip® are registered trademarks of Thermo Fisher Scientific Oy.

Dieses Produkt entspricht der Europäischen Richtlinie 98/79/EG und ist mit dem CE-Symbol gekennzeichnet.

Sollte das Produkt in Anwendungen verwendet werden, die in Verbindung zur Direktive 98/79/EC stehen, lesen Sie die Zusatzinformationen auf www.thermoscientific.com/handleanything oder kontaktieren Sie den Hersteller unter info.pipettes@thermofisher.com, um die richtige und sichere Verwendung zu gewährleisten.

Die CE-Kennzeichnung bezieht sich auf die Kombination der Finnpiquette F2 mit Finntip-Pipettenspitzen.

Wir behalten uns das Recht auf unangekündigte Änderungen der Produktspezifikationen vor. Finnpiquette® und Finntip® sind eingetragene Warenzeichen der Fa. Thermo Fisher Scientific Oy.

Ce produit est conforme à la directive de l'Union européenne 98/79/CE et porte le marquage CE.

Lorsque le produit est utilisé pour des applications relatives à la directive 98/79/EC, veuillez prendre connaissance des informations complémentaires à www.thermoscientific.com/handleanything ou contacter le constructeur à info.pipettes@thermofisher.com. Ceci pour garantir un usage adéquat et sûr.

Le marquage CE s'applique au système comprenant la Finnpiquette F2 et les cônes Finntip.

Les spécifications du produit sont sujettes à modification sans avis préalable. Finnpiquette® et Finntip® sont des marques déposées de Thermo Fisher Scientific Oy.

Este producto cumple la Directiva de la Unión Europea 98/79/CE y presenta el marcado CE. Cuando el producto sea usado en aplicaciones afectadas por la directiva 98/79/EC, por favor, lea la información adicional en www.thermoscientific.com/handleanything o contacte con el fabricante en info.pipettes@thermofisher.com para asegurar su uso correcto y seguro.

El marcado CE corresponde al sistema que contiene la pipeta Finnpiquette F2 con el marcado CE y las puntas de pipeta Finntip con marcado CE.

Las especificaciones del producto pueden cambiar sin previo aviso. Finnpiquette® y Finntip® son marcas registradas de Thermo Fisher Scientific Oy.

本製品は欧州指令98/79/ECに準拠しており、CEマーキングが付いています。

製品を指令98/79/ECに関連するアプリケーションで使用するときは、適切で安全にご使用いただくため、www.thermoscientific.com/handleanything に掲載の追加情報をお読みになるか、製造元info.pipettes@thermofisher.com にお問い合わせください。

CEマークは、CEマークの付いた Finnpiquette F2ビペットおよびCEマークの付いた Finntipビペットチップを含むシステムを対象としています。

製品仕様は事前の予告なく変更されることがあります。フィンピペット®とフィンチップ®は、サーモフィッシャーサイエンティフィックの登録商標です。

English

CONTENTS

PRODUCT DESCRIPTION	4
PACKAGE	5
SAFETY	5
PIPETTE OPERATION	6
PIPETTING TECHNIQUES	7
CALIBRATION AND ADJUSTMENT	8
MAINTENANCE	12
TROUBLE SHOOTING	14
SPARE PARTS	64-71

Deutsch

INHALT

PRODUKTBESCHREIBUNG	15
PACKUNGSINHALT	16
SICHERHEIT	16
BEDIENUNG DER PIPETTE	17
PIPETTIERMETHODEN	18
KALIBRIERUNG UND JUSTIERUNG	19
WARTUNG	23
FEHLERBEHEBUNG	26
ERSATZTEILE UND ZUBEHÖR	64-71

Français

SOMMAIRE

DESCRIPTION DU PRODUIT	27
CONDITIONNEMENT	28
CONSIGNES DE SÉCURITÉ	28
UTILISATION DE LA PIPETTE	29
MÉTHODES DE PIPETAGE	30
CALIBRAGE	31
ENTRETIEN	35
EN CAS DE PROBLEME	38
PIÈCES DÉTACHÉES	64-71

Español

CONTENIDO

DESCRIPCIÓN DEL PRODUCTO	39
PAQUETE	40
SEGURIDAD	40
USO DE LA PIPETA	41
TÉCNICAS DE PIPETEO	42
CALIBRACIÓN Y AJUSTE	43
MANTENIMIENTO	47
SOLUCIÓN DE PROBLEMAS	50
PIEZAS DE RECAMBIO	64-71

日本語

目次

製品について	51
パッケージ	52
安全にお使いいただくために	52
ピペットの操作	53
ピペッティングテクニック	54
キャリブレーション	55
メンテナンス	59
トラブルシューティング	61
保証規定	62
パーツ及び付属品	64-71

Product description

The Finnpiquette F2 is a continuously adjustable, general purpose micropipette for sampling and dispensing accurate liquid volumes.

It operates on an air displacement principle (i.e. an air interface) and uses detachable, disposable tips.

The adjusted delivery volume is displayed digitally on a readout window in the handle.

The thirteen different models of Finnpiquette F2 pipettes cover a volume range from 0,2 μ l to 10 ml.

Order No.	Volume Range	Color code	Finntip
4642010	0,2 μ l to 2 μ l	pink	Flex 10, 10, 20, 50
4642020	0,5 μ l to 5 μ l	pink	Flex 10, 10, 20, 50
4642030	1 μ l to 10 μ l	pink	Flex 10, 10, 20, 50
4642040	1 μ l to 10 μ l	yellow	Flex 200, 250 Univ., 200 Ext, 300, Flex 300
4642050	2 μ l to 20 μ l	violet	20, 50
4642060	2 μ l to 20 μ l	yellow	Flex 200, 250 Univ., 200 Ext, 300, Flex 300
4642120	5 μ l to 50 μ l	violet	50
4642130	5 μ l to 50 μ l	yellow	Flex 200, 250 Univ., 200 Ext, 300, Flex 300
4642070	10 μ l to 100 μ l	yellow	Flex 200, 250 Univ., 200 Ext, 300, Flex 300
4642080	20 μ l to 200 μ l	yellow	Flex 200, 250 Univ., 200 Ext, 300, Flex 300
4642090	100 μ l to 1000 μ l	blue	Flex 1000, 1000, 1000 Ext
4642100	0,5 ml to 5 ml	green	5 ml
4642110	1 ml to 10 ml	red	10 ml, Flex 10 ml Ext

The fifteen different models of Finnpiquette F2 Fixed Volume pipettes cover a volume range from 1 μ l to 10 ml.

Order No.	Volume Range	Color code	Finntip
4652000	1 μ l	pink	Flex 10, 10, 20, 50
4652010	5 μ l	pink	Flex 10, 10, 20, 50
4652020	10 μ l	yellow	Flex 200, 250 Univ., 200 Ext, 300, Flex 300
4652130	20 μ l	yellow	Flex 200, 250 Univ., 200 Ext, 300, Flex 300
4652030	25 μ l	yellow	Flex 200, 250 Univ., 200 Ext, 300, Flex 300
4652040	50 μ l	yellow	Flex 200, 250 Univ., 200 Ext, 300, Flex 300
4652050	100 μ l	yellow	Flex 200, 250 Univ., 200 Ext, 300, Flex 300
4652140	200 μ l	yellow	Flex 200, 250 Univ., 200 Ext, 300, Flex 300
4652060	250 μ l	blue	Flex 1000, 1000, 1000 Ext
4652070	500 μ l	blue	Flex 1000, 1000, 1000 Ext
4652080	1000 μ l	blue	Flex 1000, 1000, 1000 Ext
4652090	2000 μ l	green	5 ml
4652100	3000 μ l	green	5 ml
4652110	5000 μ l	green	5 ml
4652120	10000 μ l	red	10 ml, Flex 10 ml Ext

The ten different models of Finnpiquette F2 Multichannel pipettes cover a volume range from 1 μ l to 300 μ l.

Order No.	Channel	Volume Range	Color code	Finntip
4662000	8	1 μ l to 10 μ l	pink	Flex 10, 10, 20, 50
4662010	8	5 μ l to 50 μ l	yellow	Flex 200, 250 Univ., 200 Ext, 300, Flex 300
4662020	8	10 μ l to 100 μ l	yellow	Flex 200, 250 Univ., 200 Ext, 300, Flex 300
4662030	8	30 μ l to 300 μ l	orange	Flex 300, 300
4662040	12	1 μ l to 10 μ l	pink	Flex 10, 10, 20, 50
4662050	12	5 μ l to 50 μ l	yellow	Flex 200, 250 Univ., 200 Ext, 300, Flex 300
4662060	12	10 μ l to 100 μ l	yellow	Flex 200, 250 Univ., 200 Ext, 300, Flex 300
4662070	12	30 μ l to 300 μ l	orange	Flex 300, 300
4662080	16	1 μ l to 10 μ l	violet	Flex 10
4662090	16	5 μ l to 50 μ l	turquoise	50

Digital display

The adjusted delivery volume is clearly indicated in the large digital display on the handle.



Raw materials

The Finn timer is made of mechanically durable and chemically resistant materials.

Description of tips

Finntips are recommended for use with the Finn timer F2.


They are made of virgin natural colour polypropylene, generally regarded as the only contamination free material suitable for tips. Finntips are also autoclavable (121°C).

Package

The Finn timer F2 is shipped in a specially designed package containing the following items:

1. The Finn timer
2. Service tool
3. Multichannel service tool
4. Finntip sample
5. Tube of grease (**Order No. 2203130**)
6. Instruction manual
7. Calibration certificate / Warranty certificate
8. Shelf hanger (**Order No. 2206040**)
9. Two stickers

Safety

Cautions are marked with this symbol .

Intended use

The intended use of the device is to transfer liquids in the volume range of 0,2 µl to 10 ml. The F2 Finn timer pipette and Finntips are designed as a component of an analyzing system for an end user, who is responsible for validating the system to ensure reliable and safe results.



Damage to health

- ▶ Follow general procedures for hazard prevention and safety instructions; e.g. wear protective clothing, eye protection and gloves.
- ▶ For use and waste disposal of hazardous (e.g. radioactive and potentially infectious) material, follow the safety instructions and general laboratory practice.
- ▶ The pipette and tips are not intended for in vivo use. Do not use the pipette for pipetting any liquid to be injected into a human body.
- ▶ Do not eject the tip towards anybody.

The Finn timer F2 is to be used by trained personnel with required laboratory skills. The instructions for use must be read prior to and during the use of the device (pipette and tip). The F2 pipette can be used between +4°C and +40°C.



Incorrect dispensing results

- ▶ Performance may vary due to:
 - a. pipetting method (forward pipetting technique recommended)
 - b. temperature (air, liquid, vessel, pipette, and tip)
 - c. pressure
 - d. humidity
 - e. operator, e.g. thumb movement, pipetting angle
 - f. liquid density, viscosity and vapor pressure
 - g. type of tip
- ▶ If the pipetting performance is critical to the outcome of a specific application, the result has to be assured with an alternative test, and if this is not an option, by duplicate testing. The possibility of an incorrect volume delivery during pipetting cannot be entirely mitigated.

- ▶ To avoid inaccurate dispensing and/or leakage, check that the tip is properly attached to the pipette.
- ▶ When rotating the volume adjustment button, do not exceed the volume range of the pipette. Otherwise the pipette may be damaged or affect pipetting performance.
- ▶ Pipetting performance cannot be guaranteed if the tip is reused.
- ▶ Choose only a tip and pipette with matching color coding.

Disposal of the Materials

Follow laboratory and country-specific procedures for the disposal of biohazardous or radioactive waste. Refer to local regulations for the disposal of infectious material.

Warning The tips can be potentially infectious. Dispose of all used disposable tips as biohazardous waste.

Warning Decontaminate the pipette before disposal.

Waste disposal according to local instructions taking into account legislation in place. For more information, please contact us at info.pipettes@thermofisher.com or your local Thermo Fisher Scientific representative.

Regarding the original packaging and packing materials, use the recycling operators known to you.

Pipette operation

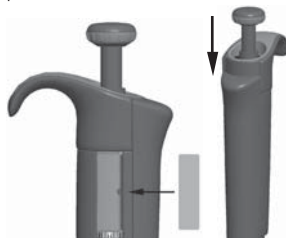
Setting the delivery volume

1. Set the delivery volume using the push button on the top of the pipette. To increase the delivery volume, turn the push button counterclockwise. To decrease the delivery volume, turn it clockwise.
2. Make sure that the desired delivery volume clicks into place.
3. Do not set volumes outside the pipette's specified volume range. Using excessive force to turn the push button outside the range may jam the mechanism and eventually damage the pipette.



Safety Label

You can mark the pipette application, your initials, the calibration date, etc. on the safety label. Remove the old label with a sharp needle. Mark the new label with a pencil and slide the label back in place.



Tip ejection

To help eliminate the risk of contamination, each pipette is fitted with a tip ejector system. To release the tip, point the pipette at suitable waste receptacle and press the tip ejector with your thumb.



Pipetting techniques

Push and release the push button slowly at all times particularly when working with high viscosity liquids. Never allow the push button to snap back.

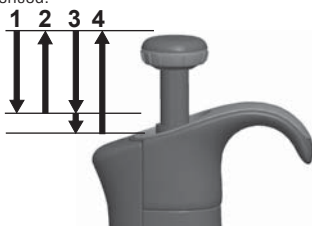
Make sure that the tip is firmly attached to the tip cone. Check for foreign particles in the tip.

Before you begin your actual pipetting work, fill and empty the tip 2-3 times with the solution that you will be pipetting. Hold the pipette in an upright position while aspirating liquid. The grippy should rest on your index finger. Make sure that the tips, pipette and solution are at the same temperature.

Forward technique

Fill a clean reagent reservoir with the liquid to be dispensed.

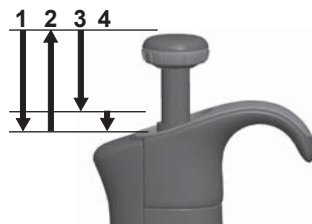
1. Depress the push button to the first stop.
2. Dip the tip under the surface of the liquid in the reservoir to a depth of about 1 cm and slowly release the push button. Withdraw the tip from the liquid touching it against the edge of the reservoir to remove excess liquid.
3. Deliver the liquid by gently depressing the push button to the first stop. After a delay of about one second, continue to depress the push button all the way to the second stop. This action will empty the tip.
4. Release the push button to the ready position. If necessary, change the tip and continue pipetting.



Reverse technique

The reverse technique is suitable for dispensing liquids that have a high viscosity or a tendency to foam easily. The technique is also recommended for dispensing very small volumes. Fill a clean reagent reservoir with the liquid to be dispensed.

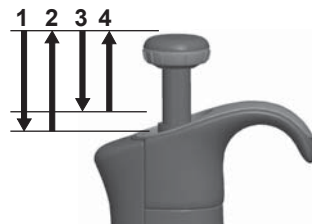
1. Depress the push button all the way to the second stop.
2. Dip the tip under the surface of the liquid in the reservoir to a depth of about 1 cm, and slowly release the push button. This action will fill the tip. Withdraw the tip from the liquid touching it against the edge of the reservoir to remove excess liquid.
3. Deliver the preset volume by gently depressing the push button to the first stop. Hold the push button at the first stop. Some liquid will remain in the tip and this should not be included in the delivery.
4. The remaining liquid should either be discarded with the tip or pipetted back into the container.



Repetitive technique

The repetitive technique offers a rapid and simple procedure for repeated delivery of the same volume. Fill a clean reagent reservoir with the liquid to be dispensed.

1. Depress the push button all the way to the second stop.
2. Dip the tip under the surface of the liquid in the reservoir to a depth of about 1 cm, and slowly release the push button. This action will fill the tip. Withdraw the tip from the liquid touching against the edge of the reservoir to remove excess liquid.
3. Deliver the preset volume by gently depressing the push button to the first stop. Hold the push button at the first stop. Some liquid will remain in the tip and this should not be included in the delivery.
4. Continue pipetting by repeating steps 3 and 4.



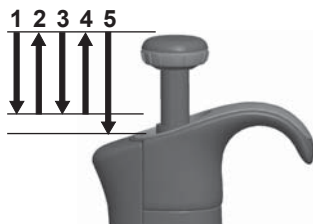
Pipetting of heterogeneous samples

(deproteinization in blood glucose determination, for example)

Use steps 1 and 2 of the forward technique to fill the tip with blood.

Wipe the tip carefully with a dry clean tissue.

1. Immerse the tip into the reagent and depress the push button to the first stop, making sure the tip is well below the surface.
2. Release the push button slowly to the ready position.
This will fill the tip. Keep the tip in the solution.
3. Depress the push button to the first stop and release slowly. Keep repeating this procedure until the interior wall of the tip is clear.
4. Finally, depress the push button all the way to the second stop to completely empty the tip.



Calibration and adjustment

All Finnpiettes are factory calibrated and adjusted to give the volumes as specified with distilled or deionized water using the forward pipetting technique. It should be noted that the use of other pipetting techniques may affect the calibration results. The pipettes are constructed to permit re-adjustment for other pipetting techniques or liquids of different temperature and viscosity.

Device requirements and test conditions

An analytical balance must be used. The scale graduation value of the balance should be chosen according to the selected test volume of the pipette:

Volume range	readable graduation
under 10 μl	0.00 1 mg
10-100 μl	0.01 mg
above 100 μl	0.1 mg

Test liquid: Water, distilled or deionized, "grade 3" water conforming ISO 3696. Tests are done in a draft-free room at a constant ($\pm 0.5^\circ\text{C}$) temperature of water, pipette and air between 15°C to 30°C . The relative humidity must be above 50%. Especially with volumes under 50 μl the air humidity should be as high as possible to reduce the effect of evaporation loss. Special accessories, such as the evaporation trap, are recommended.

Procedure to check calibration

The pipette is checked with the maximum volume (nominal volume) and with the minimum volume. A new tip is first pre-wetted 3-5 times and a series of ten pipettings is done with both volumes. A pipette is always adjusted for delivery (Ex) of the selected volume. Use of forward pipetting technique is recommended. The maximum permissible errors are designed for forward method. It is recommended to calibrate all channels of the multichannel pipette, but a suitable method is also to calibrate only the edge channels. Adjustment check prior calibration is done using one of the middle channels. It is recommended to use the ISO8655 calibration limits presented in the following tables or user-defined specifications.

Procedure:

1. Do 10 pipettings with the minimum volume.
2. Do 10 pipettings with the maximum volume.
3. Calculate the inaccuracy (A) and imprecision (cv) of both series.
4. Compare the results to the limits.

If the calculated results are within the selected limits, the adjustment of the pipette is correct.

ISO8655 calibration specifications

Thermo Scientific Finnpiquette F2 specifications according to ISO8655 standard.

Finnpiquette F2 Variable Volume Single Channel

Range	Volume μl	Inaccuracy		Imprecision	
		μl	%	s.d. μl	cv%
0,2-2 μl	2	± 0.080	± 4	0.040	2.0
	0.2	± 0.080	± 40	0.040	20.0
0,5-5 μl	5	± 0.125	± 2.5	0.075	1.5
	0.5	± 0.125	± 25	0.075	15
1-10 μl	10	± 0.120	± 1.2	0.080	0.8
	1	± 0.120	± 12	0.080	8.0
2-20 μl	20	± 0.20	± 1.0	0.10	0.5
	2	± 0.20	± 10.0	0.10	5.0
5-50 μl	50	± 0.50	± 1.0	0.20	0.4
	5	± 0.50	± 10	0.20	4.0
10-100 μl	100	± 0.80	± 0.8	0.30	0.3
	10	± 0.80	± 8.0	0.30	3.0
20-200 μl	200	± 1.60	± 0.8	0.60	0.3
	20	± 1.60	± 8.0	0.60	3.0
100-1000 μl	1000	± 8.0	± 0.8	3.0	0.3
	100	± 8.0	± 8.0	3.0	3.0
0,5-5 ml	5000	± 40.0	± 0.8	15.0	0.3
	500	± 40.0	± 8.0	15.0	3.0
1-10 ml	10000	± 60.0	± 0.6	30.0	0.3
	1000	± 60.0	± 6.0	30.0	3.0

Finnpiquette F2 Fixed Volume Single Channel

Fixed Volume μl	Inaccuracy		Imprecision	
	μl	%	s.d. μl	cv%
1	± 0.050	± 5.00	0.050	5.00
5	± 0.125	± 2.50	0.075	1.50
10	± 0.120	± 1.20	0.080	0.80
20	± 0.20	± 1.00	0.10	0.50
25	± 0.50	± 2.00	0.20	0.80
50	± 0.50	± 1.00	0.20	0.40
100	± 0.80	± 0.80	0.30	0.30
200	± 1.60	± 0.80	0.60	0.30
250	± 4.00	± 1.60	1.50	0.60
500	± 4.00	± 0.80	1.50	0.30
1000	± 8.00	± 0.80	3.00	0.30
2000	± 16.0	± 0.80	6.00	0.30
3000	± 40.0	± 1.33	15.00	0.50
5000	± 40.0	± 0.80	15.00	0.30
10000	± 60.0	± 0.60	30.00	0.30

Finnpiquette F2 Variable Volume Multichannel

Range	Channel	Volume μl	Inaccuracy		Imprecision	
			μl	%	s.d. μl	cv%
1-10 μl	8, 12, 16	10	± 0.24	± 2.4	0.16	1.6
		1	± 0.24	± 24	0.16	16
5-50 μl	8, 12, 16	50	± 1.0	± 2.0	0.4	0.8
		5	± 1.0	± 20	0.4	8.0
10-100 μl	8, 12	100	± 0.80	± 0.8	0.30	0.3
		10	± 0.80	± 8.0	0.30	3.0
30-300 μl	8, 12	300	± 8.0	± 2.7	3.0	1.0
		30	± 8.0	± 26.7	3.0	10.0

Manufacturer specification limits

Finnpipette F2 Variable Volume Single Channel

Range	Volume μ l	Inaccuracy		Imprecision		Factory calibration tip
		μ l	%	s.d. μ l	cv%	
0.2-2 μ l	2	$\pm 0,050$	$\pm 2,50$	0,040	2,00	Flex 10
	0,2	$\pm 0,024$	$\pm 12,00$	0,020	10,00	
0.5-5 μ l	5	$\pm 0,075$	$\pm 1,50$	0,050	1,00	Flex 10
	0,5	$\pm 0,030$	$\pm 6,00$	0,025	5,00	
1-10 μ l, micro	10	$\pm 0,100$	$\pm 1,00$	0,050	0,50	Flex 10
	1	$\pm 0,025$	$\pm 2,50$	0,020	2,00	
1-10 μ l	10	$\pm 0,100$	$\pm 1,00$	0,080	0,80	Flex 200
	1	$\pm 0,035$	$\pm 3,50$	0,030	3,00	
2-20 μ l, micro	20	$\pm 0,20$	$\pm 1,00$	0,08	0,40	50
	2	$\pm 0,06$	$\pm 3,00$	0,05	2,50	
2-20 μ l	20	$\pm 0,20$	$\pm 1,00$	0,08	0,40	Flex 200
	2	$\pm 0,06$	$\pm 3,00$	0,05	2,50	
5-50 μ l, micro	50	$\pm 0,30$	$\pm 0,60$	0,15	0,30	50
	5	$\pm 0,15$	$\pm 3,00$	0,125	2,50	
5-50 μ l	50	$\pm 0,30$	$\pm 0,60$	0,15	0,30	Flex 200
	5	$\pm 0,15$	$\pm 3,00$	0,125	2,50	
10-100 μ l	100	$\pm 0,80$	$\pm 0,80$	0,20	0,20	Flex 200
	10	$\pm 0,30$	$\pm 3,00$	0,10	1,00	
20-200 μ l	200	$\pm 1,2$	$\pm 0,60$	0,4	0,20	Flex 200
	20	$\pm 0,36$	$\pm 1,80$	0,14	0,70	
100-1000 μ l	1000	$\pm 6,0$	$\pm 0,60$	2,0	0,20	Flex 1000
	100	$\pm 1,0$	$\pm 1,00$	0,6	0,60	
0,5-5 ml	5000	$\pm 25,0$	$\pm 0,50$	10,0	0,20	5 ml
	500	$\pm 10,0$	$\pm 2,00$	4,0	0,80	
1-10 ml	10000	$\pm 50,0$	$\pm 0,50$	20,0	0,20	10 ml
	1000	$\pm 20,0$	$\pm 2,00$	8,0	0,80	

Finnpipette F2 Fixed Volume Single Channel

Fixed Volume μ l	Inaccuracy		Imprecision		Factory calibration tip
	μ l	%	s.d. μ l	cv%	
1	$\pm 0,040$	$\pm 4,00$	0,040	4,00	Flex 10
5	$\pm 0,070$	$\pm 1,40$	0,070	1,40	Flex 10
10	$\pm 0,090$	$\pm 0,90$	0,080	0,80	Flex 200
20	$\pm 0,14$	$\pm 0,70$	0,10	0,50	Flex 200
25	$\pm 0,15$	$\pm 0,60$	0,125	0,50	Flex 200
50	$\pm 0,30$	$\pm 0,60$	0,20	0,40	Flex 200
100	$\pm 0,40$	$\pm 0,40$	0,30	0,30	Flex 200
200	$\pm 0,80$	$\pm 0,40$	0,60	0,30	Flex 200
250	$\pm 1,0$	$\pm 0,40$	0,75	0,30	Flex 1000
500	$\pm 1,5$	$\pm 0,30$	1,5	0,30	Flex 1000
1000	$\pm 3,0$	$\pm 0,30$	3,0	0,30	Flex 1000
2000	$\pm 6,0$	$\pm 0,30$	4,0	0,20	5 ml
3000	$\pm 9,0$	$\pm 0,30$	6,0	0,20	5 ml
4000	$\pm 12,0$	$\pm 0,30$	8,0	0,20	5 ml
5000	$\pm 15,0$	$\pm 0,30$	10,0	0,20	5 ml
10000	$\pm 30,0$	$\pm 0,30$	20,0	0,20	10 ml

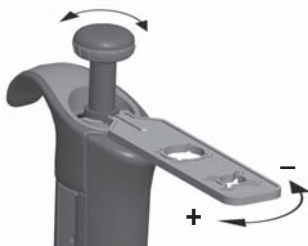
Finnpipette F2 Variable Volume Multichannel

Range	Channels	Volume μl	Inaccuracy μl	%	Imprecision s.d. μl	cv%	Factory calibration tip
1.0-10 μl	8, 12, 16	10	$\pm 0,240$	$\pm 2,40$	0,160	1,60	Flex 10
		1	$\pm 0,120$	$\pm 12,00$	0,080	8,00	
5-50 μl	8, 12, 16	50	$\pm 0,75$	$\pm 1,50$	0,35	0,70	Flex 200
		5	$\pm 0,25$	$\pm 5,00$	0,10	2,00	
10-100 μl	8, 12	100	$\pm 1,30$	$\pm 1,30$	0,50	0,50	Flex 200
		10	$\pm 0,50$	$\pm 5,00$	0,20	2,00	
30-300 μl	8, 12	300	$\pm 3,0$	$\pm 1,00$	0,9	0,30	Flex 300
		30	$\pm 1,5$	$\pm 5,00$	0,6	2,00	

Adjustment

Adjustment is done only for one volume. The recommended adjustment volume is the minimum volume or 10% of the maximum volume. Multichannel pipettes adjustment check prior calibration is done using one of the middle channels.

1. Place the service tool into the openings of the calibration nut at the top of the handle.
2. Turn the service tool clockwise to increase, or counterclockwise to decrease the volume.
3. After adjustment check the calibration according to the instructions above.



Formulas for calculating results

Conversion of mass to volume

$$V = (w + e) \times Z$$

V = volume (μl)

w = weight (mg)

e = evaporation loss (mg)

Z = conversion factor for $\mu\text{l}/\text{mg}$ conversion

Evaporation loss can be significant with low volumes. To determine mass loss, dispense water to the weighing vessel, note the reading and start a stopwatch. See how much the reading decreases during 30 seconds (e.g. 6 mg = 0.2 mg/s).

Compare this to the pipetting time from taring to reading. Typically pipetting time might be 10 seconds and the mass loss is 2 mg (10 s x 0.2 mg/s) in this example. If an evaporation trap or lid on the vessel is used the correction of evaporation is usually unnecessary.

The factor Z is for converting the weight of the water to volume at test temperature and pressure. A typical value is 1.0032 $\mu\text{l}/\text{mg}$ at 22°C and 95 kPa. See the conversion table on page 63.

Inaccuracy (systematic error)

Inaccuracy is the difference between the dispensed volume and the selected volume of a pipette.

$$A = \bar{V} - V_0$$

A = inaccuracy

\bar{V} = mean volume

V_0 = nominal volume

Inaccuracy can be expressed as a relative value: $A\% = 100\% \times A / V_0$

Imprecision (random error)

Imprecision refers to the repeatability of the pipettings. It is expressed as standard deviation (s) or coefficient of variation (cv)

$$S = \sqrt{\frac{\sum_{i=1}^n (V_i - \bar{V})^2}{n-1}}$$

s = standards deviation

\bar{V} = mean volume

n = number of measurements

Standard deviation can be expressed as a relative value (CV)

$$CV = 100\% \times S / \bar{V}$$

Maintenance

When the Finnpiquette F2 is not in use, make sure it is stored in an upright position. We recommend a Finnpiquette stand for this purpose.

The part # refer to exploded views beginning at page 64.

Short-term service

The pipette should be checked at the beginning of each day for dust and dirt on the outside surfaces of the pipette.

Particular attention should be paid to the tip cone. No other solvents except 70 % ethanol should be used to clean the pipette.

Long-term service, single channel pipettes

If the pipette is used daily it should be checked every three months.

The servicing procedure starts with the disassembly of the pipette.

1-1000 µl pipettes

1. Press the tip ejector.
2. Rotate the tip ejector 11 counterclockwise and pull it out.
3. Turn out the tip cone counterclockwise with the service tool.
4. Pull out the piston and other parts. Push out with piston the rest of the piston assembly. Then turn the tip cone upside down and tap all parts from tip cone. Remember keep all parts in order on table for reassembly.
5. Clean the piston, the piston spring and the O-rings with a dry napless cloth.
6. Check the tip cone for foreign particles.
7. Grease the cleaned parts with the lubricant that comes with the pipette.
8. Reassemble the pipette components.

0.2-2µl, 0.5-5µl & 1-10 µl: First, slide spring 22, o-ring support 23 and o-ring 24 on the tube 21. With the 0.2-2µl model insert the tube 27 into the tube 21. Then slide the spring 13, spring support 16 and tubes 17 and 18, bigger o-ring 19 and smaller o-ring 20 back on the piston.

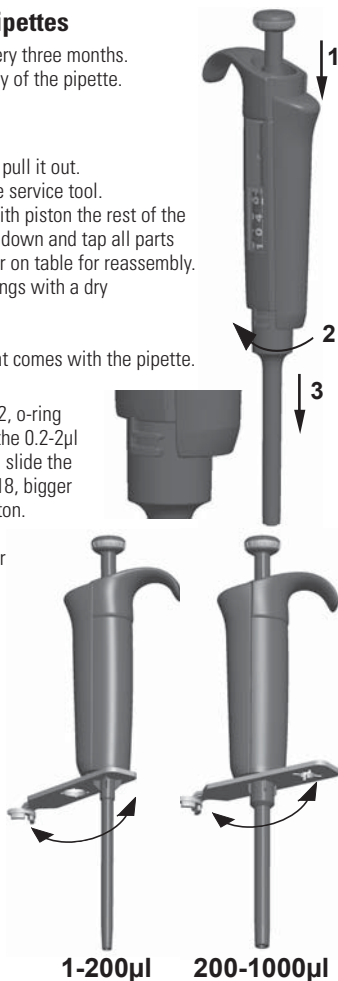
Compress the spring with fingers by pressing piston and spring support 16 against each other and slide the tube 21 with rest of the parts on the piston. Hold the spring compressed and carefully slide the entire assembly into the tip cone and release the spring.

2-20 µl & 5-50 µl: Slide the spring 13, spring support 16 and tubes 17 and 18, bigger o-ring 19 and smaller o-ring 20 back on the piston. Compress the spring with fingers by pressing piston and spring support 16 against each other and slide the bigger o-ring 19, smaller o-ring 20, spring support 21 and the spring 22 (smaller diameter against spring support 21) on the piston. Hold the spring compressed and carefully slide the entire assembly into the tip cone and release the spring.

10-100 µl & 20-200 µl: Slide the spring 13, spring support 16 and o-ring 17 back on the piston. Slide the entire assembly into the tip cone.

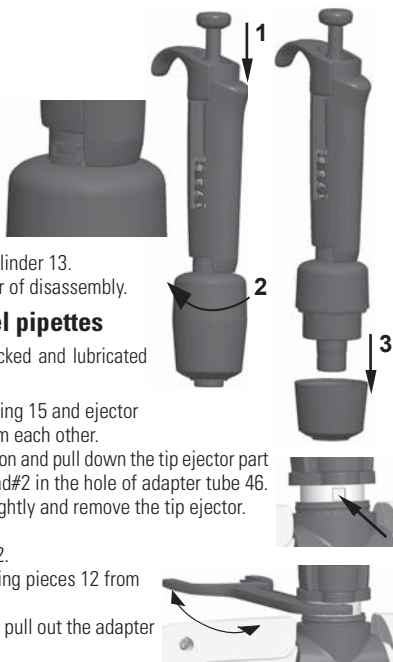
100-1000µl: Put the o-ring 17 and support ring 16 to the tip cone. Slide the spring 13 on the piston and slide the entire assembly into the tip cone.

9. **All:** Put the spring 15 and support 14 on top of the tip cone and carefully insert the tip cone assembly to the handle. Attach the tip cone by turning it first clockwise tight by hand, then do the final tightening with the service tool.
10. Reassemble the tip ejector.



0.5-5ml & 1-10 ml pipettes

1. Press the tip ejector.
2. Rotate the tip ejector 10 counterclockwise to open it.
3. Disassemble the lower part of the tip ejector 14 (snap fitting).
4. Turn the cylinder 13 counterclockwise and pull out the tip cone assembly.
5. Remove the cylinder 13 by pressing the snaps fittings of the cylinder.
6. Clean and regrease the O-ring 12 and cylinder 13.
7. Assemble the parts in the opposite order of disassembly.



Long-term service, multichannel pipettes

If the pipette is used daily it should be checked and lubricated every three months.

1. Place the service tool head#1 between ring 15 and ejector 23. Push the tool until the parts snap from each other.
2. Check that the ejector lever is in up position and pull down the tip ejector part of the module. Place the service tool head#2 in the hole of adapter tube 46.
3. Open the upper end of the tip ejector slightly and remove the tip ejector.
4. Screw out the module of the handle.
5. Pull out the module spring 19 and clip 22.
6. Press the spring 13 and remove the locking pieces 12 from the groove. Remove the spring 13.
7. Take off the locking claws 44 and 45 and pull out the adapter tube and tube 43.
8. Use a screwdriver to remove the four screws in the module cover and lift off the cover.
9. Remove the piston bar and clean the pistons and tip cones with a dry nap-free cloth.
10. If needed, service the tip cones:

16-channel 1-10µl: The tip cones cannot be serviced, please replace if necessary.

30-300 µl, 10-100µl & 5-50 µl: Open the tip cone by carefully releasing the cover ring from its snap joint with the screwdriver. Remove all the parts from the tip cone. Clean all the parts. If needed, replace the o-rings. Take one piston. Slide the spring 33, cover ring 32 (larger hole), spring 34, support ring 35, (o-ring 37 bigger 5-50µl/10-100µl) and o-ring 36 (smaller) onto the piston. Grease the o-ring with the lubricant provided in the pipette package. Slide all the parts into the tip cone and close the snap joint of the cover ring.

1-10 µl: Open the tip cone by carefully releasing the cover ring from its snap joint with the screwdriver. Remove all the parts from the tip cone. Clean all the parts. If needed, replace the o-rings. Take one piston. Slide spring 33, cover ring 32 (larger hole), support 35, o-ring 36 (bigger), o-ring 37 (smaller) and o-ring support 38 onto the piston. Then slide spring 39, spring support 40 (sharp edges first) and o-ring 41 onto the o-ring support 38. Grease the o-rings with the lubricant provided in the pipette package. Slide all the parts into the tip cone and close the snap joint of the cover ring.

11. Install the piston bar with pistons and tip cones in the cover. Place aligning studs to the same side when assembling the module. Close the cover with the four screws. Insert the clip 22.
12. Place the adapter tube and tube 43 on the neck of the module and insert the locking claws 44 and 45. Insert the module spring 19.
13. Insert spring 13 and locking pieces 12 to the piston rod 16.
14. Place the tip ejector on the module. Push the spring 19 inside tip ejector parts and close the upper end of the ejector and keep closed with fingers.
15. Screw the module in the handle and tighten with service tool head#2.
16. Push the tip ejector lever down, until you hear a "click".

Service Instructions for Multichannel Pipette Tip Cones

To ensure even performance between all channels in a multichannel pipette, all tip cones have to be changed at the same time, if any of them needs to be changed. Don't mix tip cones of different packages, because one bag contains a matched set of tip cones. Place aligning studs to the same side when assembling the module. See picture on page 71.

Sterilization

The entire pipette can be sterilized by autoclaving it at 121°C (252°F) (2 ata) (minimum 20 minutes). No special preparations are needed for autoclaving. You can use steam sterilization bags if needed.

After autoclaving the pipette must be cooled to room temperature for at least two hours. Before pipetting, make sure that the pipette is dry. We recommend that you check the calibration after every sterilization cycle to achieve the best possible accuracy.

Trouble shooting

The table below lists possible problems and their solutions.

Defect	Possible reason	Solution
<i>Leakage</i>	<i>Tip incorrectly attached</i>	<i>Attach firmly.</i>
	<i>Foreign particles between tip and tip cone</i>	<i>Clean tip cones attach new tips.</i>
	<i>Foreign particles between the piston, the O-ring and the cylinder</i>	<i>Clean and grease O-ring and cylinder.</i>
	<i>Insufficient amount of grease on cylinder and O-ring</i>	<i>Grease accordingly.</i>
	<i>O-ring damaged</i>	<i>Change the O-ring.</i>
<i>Inaccurate dispensing</i>	<i>Incorrect operation</i>	<i>Follow instructions carefully.</i>
	<i>Tip incorrectly attached</i>	<i>Attach firmly.</i>
	<i>Calibration altered: caused by misuse, for example</i>	<i>Recalibrate according to instructions.</i>
	<i>Tip cone (Single channel) or module (Multichannel) loose</i>	<i>Tighten the tip cone or module with the service tool.</i>
<i>Piston jammed</i>	<i>Pipette has been unused for a long period</i> <i>Highly volatile solvent is pipetted repeatedly cleaning the grease</i>	<i>Remove tip if attached. Press the plunger to the second stop and release several times to re-spread the grease.</i>
<i>Inaccurate dispensing with certain liquids</i>	<i>Unsuitable calibration</i> <i>High viscosity liquids may require recalibration</i>	<i>Recalibrate with the liquids in question.</i>

CAUTION!

The Finn pipette is designed to allow easy in-lab service. If you would prefer to have us or your local representative service your pipette, please make sure that the pipette has been decontaminated before you send it to us.

Please note that the postal authorities in your country may prohibit or restrict the shipment of contaminated material by mail.

Produktbeschreibung

Finnpipette F2 ist eine stufenlos einstellbare Mehrzweck-Mikropipette zur Entnahme und Ausgabe genauer Flüssigkeitsmengen.

Sie funktioniert auf der Basis des Luftverdrängungsprinzips (d. h. einer Luftschnittstelle) und verwendet abnehmbare Einwegspitzen.

Das einstellbare Ablaufvolumen wird in einer digitalen Anzeige am Griff dargestellt.

Die dreizehn Pipettenmodelle von Finnpipette F2 umfassen einen Volumenbereich von 0,2 µl bis 10 ml.

Bestellnr.	Volumen	Farbcode	Finntip
4642010	0,2 µl bis 2 µl	rosa	Flex 10, 10, 20, 50
4642020	0,5 µl bis 5 µl	rosa	Flex 10, 10, 20, 50
4642030	1 µl bis 10 µl	rosa	Flex 10, 10, 20, 50
4642040	1 µl bis 10 µl	gelb	Flex 200, 250 Univ., 200 Ext, 300, Flex 300
4642050	2 µl bis 20 µl	violett	20, 50
4642060	2 µl bis 20 µl	gelb	Flex 200, 250 Univ., 200 Ext, 300, Flex 300
4642120	5 µl bis 50 µl	violett	50
4642130	5 µl bis 50 µl	gelb	Flex 200, 250 Univ., 200 Ext, 300, Flex 300
4642070	10 µl bis 100 µl	gelb	Flex 200, 250 Univ., 200 Ext, 300, Flex 300
4642080	20 µl bis 200 µl	gelb	Flex 200, 250 Univ., 200 Ext, 300, Flex 300
4642090	100 µl bis 1000 µl	blau	Flex 1000, 1000, 1000 Ext
4642100	0,5 ml bis 5 ml	grün	5 ml
4642110	1 ml bis 10 ml	rot	10 ml, Flex 10 ml Ext

Die fünfzehn Pipettenmodelle von Finnpipette F2 Fixed Volume umfassen einen Volumenbereich von 1 µl bis 10 ml.

Bestellnr.	Volumen	Farbcode	Finntip
4652000	1 µl	rosa	Flex 10, 10, 20, 50
4652010	5 µl	rosa	Flex 10, 10, 20, 50
4652020	10 µl	gelb	Flex 200, 250 Univ., 200 Ext, 300, Flex 300
4652130	20 µl	gelb	Flex 200, 250 Univ., 200 Ext, 300, Flex 300
4652030	25 µl	gelb	Flex 200, 250 Univ., 200 Ext, 300, Flex 300
4652040	50 µl	gelb	Flex 200, 250 Univ., 200 Ext, 300, Flex 300
4652050	100 µl	gelb	Flex 200, 250 Univ., 200 Ext, 300, Flex 300
4652140	200 µl	gelb	Flex 200, 250 Univ., 200 Ext, 300, Flex 300
4652060	250 µl	blau	Flex 1000, 1000, 1000 Ext
4652070	500 µl	blau	Flex 1000, 1000, 1000 Ext
4652080	1000 µl	blau	Flex 1000, 1000, 1000 Ext
4652090	2000 µl	grün	5 ml
4652100	3000 µl	grün	5 ml
4652110	5000 µl	grün	5 ml
4652120	10000 µl	rot	10 ml, Flex 10 ml Ext

Die zehn Pipettenmodelle von Finnpipette F2 Multichannel umfassen einen Volumenbereich von 1 µl bis 300 µl.

Bestellnr.	Kanäle	Volumen Range	Farbcode	Finntip
4662000	8	1 µl bis 10 µl	rosa	Flex 10, 10, 20, 50
4662010	8	5 µl bis 50 µl	gelb	Flex 200, 250 Univ., 200 Ext, 300, Flex 300
4662020	8	10 µl bis 100 µl	gelb	Flex 200, 250 Univ., 200 Ext, 300, Flex 300
4662030	8	30 µl bis 300 µl	orange	Flex 300, 300
4662040	12	1 µl bis 10 µl	rosa	Flex 10, 10, 20, 50
4662050	12	5 µl bis 50 µl	gelb	Flex 200, 250 Univ., 200 Ext, 300, Flex 300
4662060	12	10 µl bis 100 µl	gelb	Flex 200, 250 Univ., 200 Ext, 300, Flex 300
4662070	12	30 µl bis 300 µl	orange	Flex 300, 300
4662080	16	1 µl bis 10 µl	violett	Flex 10
4662090	16	5 µl bis 50 µl	turquoise	50

Digitalanzeige

Die einstellbare Ablaufmenge ist in der großen digitalen Anzeige am Griff zu sehen.



Materialien

Die Finnpiquette F2 wird aus mechanisch dauerhaften und chemisch beständigen Materialien hergestellt.

Beschreibung der Spitzen

Für die Verwendung mit der Finnpiquette F2 werden Finntips empfohlen.

Sie bestehen aus neuem, naturfarbenem Polypropylen, dem allgemein einzigen nicht kontaminierenden Material, das für Spitzen geeignet ist. Finntips sind ebenfalls autoklavierbar (121°C).

Packungsinhalt

Die Finnpiquette F2 wird in einer speziell konzipierten Verpackung transportiert und enthält die folgenden Bestandteile:

1. Die Finnpiquette
2. Wartungswerkzeug
3. Wartungswerkzeug für Mehrkanalpipetten
4. Finntip-Probe
5. Schmiermittel (**Bestellnr. 2203130**)
6. Bedienungsanleitung
7. Kalibrierungszertifikat / Garantiezertifikat
8. Aufhängevorrichtung (**Bestellnr. 2206040**)
9. Zwei Aufkleber

Sicherheit

Warnungen sind mit diesem Symbol gekennzeichnet: 

Vorgesehener Verwendungszweck

Die vorgesehene Verwendung des Produkts ist die Übertragung von Flüssigkeiten in Volumina von 0,2 µl bis 10 ml.

Die Finnpiquette F2 Pipette und die Finntips sind als Komponenten eines Analysesystems konzipiert. Der Endbenutzer ist für die Validierung des Systems und die Sicherstellung korrekter Ergebnisse verantwortlich.



Gesundheitsgefahren

- ▶ Halten Sie die allgemeinen Sicherheitsvorschriften ein und tragen Sie angemessene Schutzkleidung einschließlich Schutzbrille und -handschuhen.
- ▶ Befolgen Sie bei der Entsorgung von Gefahrgut (z.B. radioaktive oder potentiell infektiöse Substanzen) die Sicherheitsvorschriften und Laborregeln.
- ▶ Die Pipette und ihre Spitzen sind nicht für In-vivo-Untersuchungen geeignet. Verwenden Sie die Pipette niemals zum Injizieren von Flüssigkeiten in den menschlichen Körper.
- ▶ Richten Sie die Pipette nicht auf Personen, wenn Sie die Spitze auswerfen.

Die Finnpiquette F2 darf nur von geschultem Personal verwendet werden, das über entsprechende Laborpraxis verfügt. Vor und während der Verwendung von Pipette und Spitze unbedingt die Gebrauchsanleitung lesen! Die zulässige Betriebstemperatur der F2 liegt zwischen +4°C und +40°C.



Falsche Dispensierergebnisse

- ▶ Mögliche Gründe für Abweichungen:
 - a. Pipettiermethode (Direktmodus empfohlen)
 - b. Temperatur (Luft, Flüssigkeit, Pipette und Spitze).
 - c. Druck
 - d. Feuchtigkeit
 - e. Bediener (z.B. Daumenbewegung, Pipettierwinkel)
 - f. Flüssigkeitsdichte, Viskosität und Dampfdruck
 - g. Art der Spitze

- ▶ Wenn die Pipettierleistung für die medizinische Diagnose entscheidend ist, muss das Ergebnis des Diagnosetests durch einen weiteren Test verifiziert werden, möglichst in alternativem Verfahren. Die Möglichkeit eines inkorrekten Ablaufvolumens beim Pipettieren kann nicht völlig ausgeschlossen werden.
- ▶ Um Fehler und/oder Leckagen zu verhindern, vergewissern Sie sich, dass die Spitze korrekt an der Pipette befestigt ist.
- ▶ Überschreiten Sie beim Drehen des Volumenreglers nicht den zulässigen Maximalwert. Andernfalls kann die Pipette Schaden nehmen oder ungenaue Ergebnisse produzieren.
- ▶ Für wiederverwendete Pipettenspitzen wird keine Leistungsgarantie übernommen.
- ▶ Die Farbcodierung von Pipette und Spitze muss übereinstimmen.

Entsorgung der Materialien

Befolgen Sie bei der Entsorgung biologischen Gefahrguts und radioaktiver Abfälle sowohl die laborspezifischen als auch die nationalen Vorschriften. Beachten Sie außerdem die örtlichen Vorschriften für die Entsorgung infektiösen Materials.

Warnung Die Proben können ansteckende Keime enthalten. Entsorgen Sie alle Einwegspitzen als biologisches Gefahrgut.

Warnung Dekontaminieren Sie die Pipette vor der Entsorgung.

Für Informationen zur Abfallentsorgung wenden Sie sich bitte an Ihre örtliche Umweltbehörde. Für nähere Informationen wenden Sie sich bitte an **info.pipettes@thermofisher.com**.

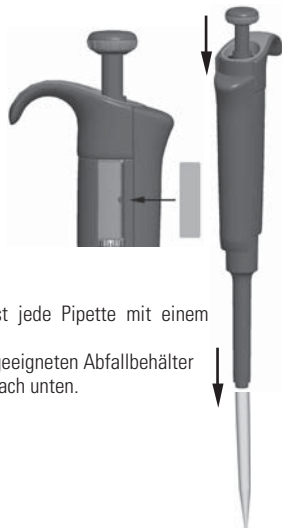
Bitte führen Sie die Originalverpackung und das darin enthaltene Verpackungsmaterial sachgerechtem Recycling zu.

Weitere Informationen erhalten Sie bei Ihrer örtlichen Vertretung von Thermo Fisher Scientific.

Pipettenfunktion

Einstellen der Ablaufmenge

1. Die Ablaufmenge wird mit dem Bedienungsknopf am oberen Ende der Pipette eingestellt. Um die Ablaufmenge zu erhöhen, drehen Sie den Bedienungsknopf gegen den Uhrzeigersinn. Um die Ablaufmenge zu verringern, drehen Sie den Bedienungsknopf im Uhrzeigersinn.
2. Achten Sie darauf, dass die gewünschte Ziffernanzeige einrastet.
3. Stellen Sie keine Mengen außerhalb des spezifizierten Volumenbereichs der Pipette ein. Durch das gewaltsame Drehen des Bedienungsknopfes außerhalb des Bereichs kann der Mechanismus beschädigt und die Pipette unbrauchbar werden.



Sicherheitsetikette

Sie können den Verwendungszweck der Pipette, Ihre Initialen, das Kalibrierungsdatum etc. auf der Sicherheitsetikette angeben. Entfernen Sie die alte Etikette mit einer spitzen Nadel. Beschriften Sie die neue Etikette mit einem Stift und schieben Sie sie an ihren Platz.

Auswerfen der Spitze

Um die Gefahr einer Kontamination auszuschließen, ist jede Pipette mit einem Spitzen-Auswurfsystem ausgestattet.

Um die Spitze zu lösen, halten Sie die Pipette über einen geeigneten Abfallbehälter und drücken Sie den Spitzenauswerfer mit dem Daumen nach unten.

Pipettiermethoden

Das Drücken und Loslassen des Bedienungsknopfes muss stets langsam erfolgen, insbesondere wenn mit hochviskosen Flüssigkeiten gearbeitet wird. Achten Sie darauf, dass der Bedienungsknopf nie zurückschnappt.

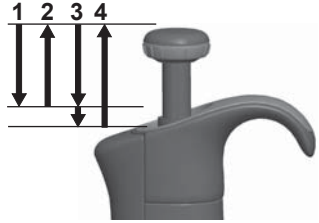
Stellen Sie sicher, dass die Spitze fest in der Spitzenhalterung sitzt. Kontrollieren Sie die Spitze auf Fremdkörper.

Bevor Sie mit dem Pipettieren beginnen, füllen und entleeren Sie die Spitze 2 - 3 Mal mit der Lösung, die Sie pipettieren wollen. Halten Sie die Pipette beim Ansaugen der Flüssigkeit senkrecht. Ihr Zeigefinger sollte auf dem griffigen Bereich liegen. Achten Sie darauf, dass die Spitze, die Pipette und die Lösung dieselbe Temperatur aufweisen.

Vorwärtsmethode

Füllen Sie ein sauberes Reagenzglas mit der Flüssigkeit, die pipettiert werden soll.

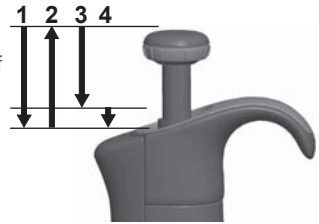
1. Drücken Sie den Bedienungsknopf bis zum ersten Anschlag.
2. Tauchen Sie die Spitze ca. 1 cm unter die Oberfläche der Flüssigkeit im Reagenzglas und lassen Sie den Bedienungsknopf langsam los. Nehmen Sie die Spitze aus der Flüssigkeit, wobei Sie überschüssige Flüssigkeit am Rand des Glases abstreifen.
3. Gießen Sie die Flüssigkeit aus, indem Sie den Bedienungsknopf sanft bis zum ersten Anschlag drücken. Drücken Sie nach etwa einer Sekunde den Bedienungsknopf bis zum zweiten Anschlag ganz hinunter. Dadurch wird die Spitze entleert.
4. Lassen Sie den Bedienungsknopf in die Ausgangsposition zurückgleiten. Wechseln Sie nötigenfalls die Spitze und fahren Sie mit dem Pipettieren fort.



Rückwärtsmethode

Die Rückwärtsmethode ist geeignet für Flüssigkeiten, die eine hohe Viskosität aufweisen oder leicht schäumen. Diese Methode wird auch empfohlen, wenn nur sehr kleine Mengen verteilt werden sollen. Füllen Sie ein sauberes Reagenzglas mit der Flüssigkeit, die pipettiert werden soll.

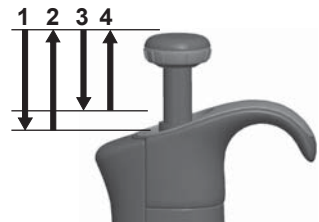
1. Drücken Sie den Bedienungsknopf ganz bis zum zweiten Anschlag hinunter.
2. Tauchen Sie die Spitze ca. 1 cm unter die Oberfläche der Flüssigkeit im Reagenzglas und lassen Sie den Bedienungsknopf langsam los. Dadurch wird die Spitze gefüllt. Nehmen Sie die Spitze aus der Flüssigkeit, wobei Sie überschüssige Flüssigkeit am Rand des Glases abstreifen.
3. Gießen Sie die voreingestellte Menge aus, indem Sie den Bedienungsknopf sanft bis zum ersten Anschlag drücken. Halten Sie den Bedienungsknopf am ersten Anschlag. Etwas Flüssigkeit verbleibt in der Spitze, die nicht ausgegossen werden darf.
4. Die restliche Flüssigkeit wird entweder mit der Spitze entsorgt oder zurück in den Flüssigkeitsbehälter gegossen.



Wiederholungsmethode

Die Wiederholungsmethode bietet eine rasche und einfache Möglichkeit, dasselbe Volumen mehrmals zu dosieren. Füllen Sie ein sauberes Reagenzglas mit der Flüssigkeit, die pipettiert werden soll.

1. Drücken Sie den Bedienungsknopf ganz bis zum zweiten Anschlag hinunter.
2. Tauchen Sie die Spitze ca. 1 cm unter die Oberfläche der Flüssigkeit im Reagenzglas und lassen Sie den Bedienungsknopf langsam los. Dadurch wird die Spitze gefüllt. Nehmen Sie die Spitze aus der Flüssigkeit, wobei Sie überschüssige Flüssigkeit am Rand des Glases abstreifen.



- Gießen Sie die voreingestellte Menge aus, indem Sie den Bedienungsknopf sanft bis zum ersten Anschlag drücken. Halten Sie den Bedienungsknopf am ersten Anschlag. Etwas Flüssigkeit verbleibt in der Spitze, die nicht ausgegossen werden darf.
- Fahren Sie mit dem Pipettieren fort, indem Sie die Schritte 3 und 4 wiederholen.

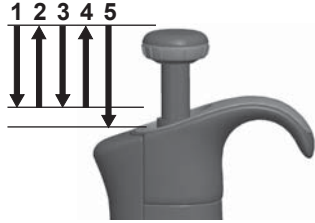
Pipettieren von heterogenen Proben

(z. B. Deproteinisation bei der Bestimmung des Blutzuckers)

Befolgen Sie Schritt 1 und 2 der Vorwärtsmethode, um die Spitze mit Blut zu füllen.

Wischen Sie die Spitze sorgfältig mit einem trockenen, sauberen Tuch ab.

- Tauchen Sie die Spitze in das Reagenzglas ein und drücken Sie den Bedienungsknopf bis zum ersten Anschlag. Achten Sie dabei darauf, dass die Spitze unter der Oberfläche der Flüssigkeit eingetaucht ist.
- Lassen Sie den Bedienungsknopf langsam in die Ausgangsposition zurückgleiten. Dadurch wird die Spitze gefüllt. Halten Sie die Spitze weiterhin in der Lösung.
- Drücken Sie den Bedienungsknopf bis zum ersten Anschlag und lassen Sie ihn langsam aus. Wiederholen Sie diesen Vorgang, bis die Innenwand der Spitze klar ist.
- Drücken Sie schließlich den Bedienungsknopf ganz hinunter bis zum zweiten Anschlag, um die Spitze vollständig zu entleeren.



Kalibrierung und Justierung

Alle Finnpipetten werden im Werk auf die spezifizierten Mengen an destilliertem oder vollentsalztem Wasser bei Verwendung der Vorwärtsmethode kalibriert und justiert. Beachten Sie, dass die Verwendung anderer Pipettiermethoden die Kalibrierungsergebnisse beeinflussen können. Die Pipetten sind so konzipiert, dass eine erneute Justierung für andere Pipettiermethoden oder Flüssigkeiten vorgenommen werden kann, die eine unterschiedliche Temperatur und Viskosität aufweisen.

Erforderliche Geräte und Prüfbedingungen

Zur Überprüfung wird eine Analysenwaage benötigt. Der Skalenwert der Waage muss entsprechend der gewählten Testmenge der Pipette gewählt werden:

Menge	Skala
unter 10 µl	0,001 mg
10-100 µl	0,01 mg
über 100 µl	0,1 mg

Testflüssigkeit: Destilliertes oder vollentsalztes Wasser der Klasse 3 gemäß ISO 3696. Die Überprüfung wird in einem zugluftfreien Raum bei einer konstanten Temperatur von 15°C bis 30°C ($\pm 0,5^\circ\text{C}$) des Wassers, der Pipette und der Luft durchgeführt. Die relative Luftfeuchtigkeit muss über 50% liegen. Insbesondere bei Mengen unter 50 µl sollte die Luftfeuchtigkeit möglichst hoch sein, um Verdunstungsverluste zu vermeiden. Die Verwendung von Spezialzubehör, z.B. eines Verdunstungsschutzes, wird empfohlen.

Prüfen der Kalibrierung

Die Pipette wird mit der Höchstmenge (Nennvolumen) und der Mindestmenge geprüft. Zuerst wird eine neue Spitze drei- bis fünfmal mit Flüssigkeit durchspült. Dann wird mit beiden Mengen eine Serie von zehn Pipettierungen durchgeführt. Eine Pipette ist stets auf den Ablauf (Ex) der gewählten Menge justiert. Die Verwendung der Vorwärtsmethode wird empfohlen. Die maximal zulässigen Abweichungen beziehen sich auf die Vorwärtsmethode. Es wird empfohlen alle Kanäle einer Mehrkanalpipette zu kalibrieren, hilfsweise können auch nur die Randkanäle kalibriert werden. Anpassungen werden dann mit den mittleren Kanälen vorgenommen. Wir empfehlen die ISO8655 Kalibriergrenzen zu verwenden, wie in nachfolgenden Tabellen aufgeführt. Alternativ können anwenderspezifische Kalibriergrenzen angewendet werden.

Vorgang:

1. Nehmen Sie 10 Pipettierungen mit der Mindestmenge vor.
2. Nehmen Sie 10 Pipettierungen mit der Höchstmenge vor.
3. Berechnen Sie die Ungenauigkeit (A) und die Unpräzision (cv) beider Serien.
4. Vergleichen Sie die Ergebnisse mit den Fehlergrenzen.

Wenn sich die berechneten Werte innerhalb der festgelegten Fehlergrenzen befinden, ist die Kalibrierung der Pipette korrekt.

Kalibrierungsgrenzwerte nach ISO8655

Die Spezifikationen von Thermo Scientific Finnpipette F2 entsprechen ISO8655

Finnpipette F2-Einzelkanalpipette mit variablem Volumen

Bereich	Volumen μl	Ungenauigkeit		Unpräzision	
		μl	%	s.d. μl	cv%
0,2-2 μ l	2	± 0.080	± 4	0.040	2.0
	0.2	± 0.080	± 40	0.040	20.0
0,5-5 μ l	5	± 0.125	± 2.5	0.075	1.5
	0.5	± 0.125	± 25	0.075	15
1-10 μ l	10	± 0.120	± 1.2	0.080	0.8
	1	± 0.120	± 12	0.080	8.0
2-20 μ l	20	± 0.20	± 1.0	0.10	0.5
	2	± 0.20	± 10.0	0.10	5.0
5-50 μ l	50	± 0.50	± 1.0	0.20	0.4
	5	± 0.50	± 10	0.20	4.0
10-100 μ l	100	± 0.80	± 0.8	0.30	0.3
	10	± 0.80	± 8.0	0.30	3.0
20-200 μ l	200	± 1.60	± 0.8	0.60	0.3
	20	± 1.60	± 8.0	0.60	3.0
100-1000 μ l	1000	± 8.0	± 0.8	3.0	0.3
	100	± 8.0	± 8.0	3.0	3.0
0,5-5 ml	5000	± 40.0	± 0.8	15.0	0.3
	500	± 40.0	± 8.0	15.0	3.0
1-10 ml	10000	± 60.0	± 0.6	30.0	0.3
	1000	± 60.0	± 6.0	30.0	3.0

Finnpipette F2-Einzelkanalpipette mit Konstantvolumen

Fixed Volume μl	Ungenauigkeit		Unpräzision	
	μl	%	s.d. μl	cv%
1	± 0.050	± 5.00	0.050	5.00
5	± 0.125	± 2.50	0.075	1.50
10	± 0.120	± 1.20	0.080	0.80
20	± 0.20	± 1.00	0.10	0.50
25	± 0.50	± 2.00	0.20	0.80
50	± 0.50	± 1.00	0.20	0.40
100	± 0.80	± 0.80	0.30	0.30
200	± 1.60	± 0.80	0.60	0.30
250	± 4.00	± 1.60	1.50	0.60
500	± 4.00	± 0.80	1.50	0.30
1000	± 8.00	± 0.80	3.00	0.30
2000	± 16.0	± 0.80	6.00	0.30
3000	± 40.0	± 1.33	15.00	0.50
5000	± 40.0	± 0.80	15.00	0.30
10000	± 60.0	± 0.60	30.00	0.30

Finnpipette F2-Mehrkanalpipette mit variablem Volumen

Bereich	Kanal	Volumen μl	Ungenauigkeit		Unpräzision	
			μl	%	s.d. μl	cv%
1-10 μl	8, 12, 16	10	± 0.24	± 2.4	0.16	1.6
		1	± 0.24	± 24	0.16	16
5-50 μl	8, 12, 16	50	± 1.0	± 2.0	0.4	0.8
		5	± 1.0	± 20	0.4	8.0
10-100 μl	8, 12	100	± 0.80	± 0.8	0.30	0.3
		10	± 0.80	± 8.0	0.30	3.0
30-300 μl	8, 12	300	± 8.0	± 2.7	3.0	1.0
		30	± 8.0	± 26.7	3.0	10.0

Grenzwerte laut Herstellerspezifikation

Finnpipette F2-Einzelkanalpipette mit variablem Volumen

Bereich	Volumen μl	Ungenauigkeit		Unpräzision		Hersteller Kalibrier- Spitze
		μl	%	s.d. μl	cv%	
0.2-2 μl	2	$\pm 0,050$	$\pm 2,50$	0,040	2,00	Flex 10
	0,2	$\pm 0,024$	$\pm 12,00$	0,020	10,00	
0.5-5 μl	5	$\pm 0,075$	$\pm 1,50$	0,050	1,00	Flex 10
	0,5	$\pm 0,030$	$\pm 6,00$	0,025	5,00	
1-10 μl , micro	10	$\pm 0,100$	$\pm 1,00$	0,050	0,50	Flex 10
	1	$\pm 0,025$	$\pm 2,50$	0,020	2,00	
1-10 μl	10	$\pm 0,100$	$\pm 1,00$	0,080	0,80	Flex 200
	1	$\pm 0,035$	$\pm 3,50$	0,030	3,00	
2-20 μl , micro	20	$\pm 0,20$	$\pm 1,00$	0,08	0,40	50
	2	$\pm 0,06$	$\pm 3,00$	0,05	2,50	
2-20 μl	20	$\pm 0,20$	$\pm 1,00$	0,08	0,40	Flex 200
	2	$\pm 0,06$	$\pm 3,00$	0,05	2,50	
5-50 μl , micro	50	$\pm 0,30$	$\pm 0,60$	0,15	0,30	50
	5	$\pm 0,15$	$\pm 3,00$	0,125	2,50	
5-50 μl	50	$\pm 0,30$	$\pm 0,60$	0,15	0,30	Flex 200
	5	$\pm 0,15$	$\pm 3,00$	0,125	2,50	
10-100 μl	100	$\pm 0,80$	$\pm 0,80$	0,20	0,20	Flex 200
	10	$\pm 0,30$	$\pm 3,00$	0,10	1,00	
20-200 μl	200	$\pm 1,2$	$\pm 0,60$	0,4	0,20	Flex 200
	20	$\pm 0,36$	$\pm 1,80$	0,14	0,70	
100-1000 μl	1000	$\pm 6,0$	$\pm 0,60$	2,0	0,20	Flex 1000
	100	$\pm 1,0$	$\pm 1,00$	0,6	0,60	
0,5-5 ml	5000	$\pm 25,0$	$\pm 0,50$	10,0	0,20	5 ml
	500	$\pm 10,0$	$\pm 2,00$	4,0	0,80	
1-10 ml	10000	$\pm 50,0$	$\pm 0,50$	20,0	0,20	10 ml
	1000	$\pm 20,0$	$\pm 2,00$	8,0	0,80	

Finnpipette F2-Einzelkanalpipette mit Konstantvolumen

Fixed Volume μl	Ungenauigkeit		Unpräzision		Hersteller Kalibrier- Spitze
	μl	%	s.d. μl	cv%	
1	$\pm 0,040$	$\pm 4,00$	0,040	4,00	Flex 10
5	$\pm 0,070$	$\pm 1,40$	0,070	1,40	Flex 10
10	$\pm 0,090$	$\pm 0,90$	0,080	0,80	Flex 200
20	$\pm 0,14$	$\pm 0,70$	0,10	0,50	Flex 200
25	$\pm 0,15$	$\pm 0,60$	0,125	0,50	Flex 200
50	$\pm 0,30$	$\pm 0,60$	0,20	0,40	Flex 200
100	$\pm 0,40$	$\pm 0,40$	0,30	0,30	Flex 200
200	$\pm 0,80$	$\pm 0,40$	0,60	0,30	Flex 200
250	$\pm 1,0$	$\pm 0,40$	0,75	0,30	Flex 1000
500	$\pm 1,5$	$\pm 0,30$	1,5	0,30	Flex 1000
1000	$\pm 3,0$	$\pm 0,30$	3,0	0,30	Flex 1000
2000	$\pm 6,0$	$\pm 0,30$	4,0	0,20	5 ml
3000	$\pm 9,0$	$\pm 0,30$	6,0	0,20	5 ml
4000	$\pm 12,0$	$\pm 0,30$	8,0	0,20	5 ml
5000	$\pm 15,0$	$\pm 0,30$	10,0	0,20	5 ml
10000	$\pm 30,0$	$\pm 0,30$	20,0	0,20	10 ml

Finnpipette F2-Mehrkanalpipette mit variablem Volumen

Bereich	Kanal	Volumen μl	Ungenauigkeit		Unpräzision		Hersteller Kalibrier- Spitze
			μl	%	s.d. μl	cv%	
1.0-10 μl	8, 12, 16	10	$\pm 0,240$	$\pm 2,40$	0,160	1,60	Flex 10
		1	$\pm 0,120$	$\pm 12,00$	0,080	8,00	
5-50 μl	8, 12, 16	50	$\pm 0,75$	$\pm 1,50$	0,35	0,70	Flex 200
		5	$\pm 0,25$	$\pm 5,00$	0,10	2,00	
10-100 μl	8, 12	100	$\pm 1,30$	$\pm 1,30$	0,50	0,50	Flex 200
		10	$\pm 0,50$	$\pm 5,00$	0,20	2,00	
30-300 μl	8, 12	300	$\pm 3,0$	$\pm 1,00$	0,9	0,30	Flex 300
		30	$\pm 1,5$	$\pm 5,00$	0,6	2,00	

Justierung

Die Einstellung wird nur für ein Volumen vorgenommen. Als Einstellvolumen wird die Mindest- oder 10% der Höchstmenge empfohlen. Bei Mehrkanal Pipetten wird zur Anpassung einer der mittleren Kanäle verwendet.

1. Stecken Sie das Werkzeug in die Öffnungen der Eichungsschraube am oberen Ende des Griffs.
2. Drehen Sie das Werkzeug im Uhrzeigersinn, um die Menge zu erhöhen, oder gegen den Uhrzeigersinn, um die Menge zu verringern.
3. Überprüfen Sie nach der Justierung die Kalibrierung gemäß der oben beschriebenen Anleitung.

**Formeln zum Berechnen von Werten****Umrechnung von Masse in Volumen**

$$V = (w + e) \times Z$$

V = Volumen (μl)

w = Gewicht (mg)

e = Verdunstungsverlust (mg)

Z = Umrechnungsfaktor für $\mu\text{l}/\text{mg}$ -Konversion

Verdunstungsverluste können bei kleinen Mengen ausschlaggebend sein. Um den Volumenverlust zu bestimmen, leeren Sie Wasser in die Waagschale, notieren Sie den Anzeigewert und starten Sie eine Stoppuhr. Stellen Sie fest, um wie viel der angezeigte Wert während 30 Sekunden abnimmt (z.B. 6 mg = 0,2 mg/s).

Vergleichen Sie dies mit der Pipettierzeit vom Austarieren bis zum Ablesen. Normalerweise beträgt die Pipettierzeit 10 Sekunden. Der Volumensverlust beträgt in diesem Fall deshalb 2 mg (10 s x 0,2 mg/s). Wird ein Verdunstungsschutz oder Deckel für das Gefäß verwendet, ist ein Korrigieren der Verdunstungsmenge normalerweise nicht nötig.

Der Faktor Z dient zur Umrechnung des Gewichts von Wasser auf sein Volumen bei Prüftemperatur und Prüfdruck. Ein typischer Wert ist 1,0032 µl/mg bei 22°C und 95 kPa. Siehe die Umwandlungstabelle auf Seite 63.

Ungenauigkeit (systematischer Fehler)

Ungenauigkeit bezeichnet die Differenz zwischen der abgegebenen Menge und dem gewählten Volumen einer Pipette.

$$A = \bar{V} - V_0$$

A	=	Ungenauigkeit
\bar{V}	=	Mittleres Volumen
V_0	=	Nennvolumen

Ungenauigkeit kann als relativer Wert dargestellt werden: **A% = 100% x A / V₀**

Unpräzision (statistischer Fehler)

Unpräzision bezieht sich auf die Wiederholbarkeit der Pipettierung. Sie wird als Standardabweichung (s) oder Variationskoeffizient (cv) angegeben.

$$S = \sqrt{\frac{\sum_{i=1}^n (V_i - \bar{V})^2}{n-1}}$$

s	=	Standardabweichung
\bar{v}	=	Mittleres Volumen
n	=	Anzahl der Messungen

Die Standardabweichung kann als relativer Wert dargestellt werden (CV) **CV = 100% x S / \bar{V}**

Wartung

Wenn die Finnpipette F2 nicht in Verwendung ist, muss sie in senkrechter Position aufbewahrt werden. Wir empfehlen dafür eine Finnpipette-Halterung.

Die angegebenen Teilenummern beziehen sich auf die Explosionszeichnungen ab Seite 64.

Kurzfristige Wartung

Die Außenfläche der Pipette sollte täglich vor Gebrauch auf Staub und Schmutz kontrolliert werden.

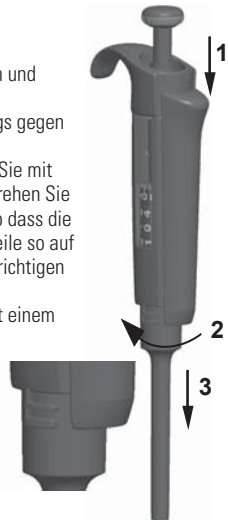
Insbesondere der Spitzenkegel sollte gründlich untersucht werden. Zur Reinigung der Pipette darf ausschließlich 70% Ethylalkohol verwendet werden.

Langfristige Wartung, Einzelkanalpipetten

Falls die Pipette täglich verwendet wird, sollte sie alle sechs Monate gewartet werden. Die Wartung beginnt mit dem Zerlegen der Pipette.

Pipetten von 1-1000 µl:

1. Drücken Sie auf den Spitzenauswerfer.
2. Drehen Sie den Spitzenauswerfer 11 gegen den Uhrzeigersinn und ziehen Sie ihn heraus.
3. Drehen Sie den Spitzenkegel mit Hilfe des Wartungswerkzeugs gegen den Uhrzeigersinn.
4. Ziehen Sie den Kolben und die übrigen Teile heraus. Drücken Sie mit dem Kolben die übrigen Teile der Kolbenbaugruppe heraus. Drehen Sie danach den Spitzenkegel um und klopfen Sie leicht auf ihn, so dass die in ihm befindlichen Teile herausrutschen. Bewahren Sie die Teile so auf dem Arbeitstisch auf, dass Sie sie beim Wiedereinbau in der richtigen Reihenfolge griffbereit haben.
5. Reinigen Sie den Kolben, die Kolbenfeder und die O-Ringe mit einem trockenen, fusselfreien Tuch.
6. Kontrollieren Sie den Spitzenkegel auf Fremdkörper.
7. Schmieren Sie die gesäuberten Teile mit dem Schmiermittel, das mit der Pipette geliefert wird.
8. Bauen Sie danach die Pipettenkomponenten wieder zusammen.



0,2-2 µl, 0,5-5 µl & 1-10 µl: Schieben Sie zuerst die Feder 22, die O-Ring-Stütze 23 und den O-Ring 24 auf die Röhre 21. 0,2-2 µl-Modell: Schieben Sie die Röhre 27 in die Röhre 21.

Schieben Sie danach die Feder 13, die Federstütze 16, die Röhren 17 und 18, den größeren O-Ring 19 sowie den kleineren O-Ring 20 wieder auf den Kolben.

Drücken Sie die Feder mit den Fingern zusammen, indem Sie den Kolben und die Federstütze 16 gegeneinander drücken, und schieben Sie auch die Röhre 21 auf den Kolben. Halten Sie die Feder gedrückt und schieben Sie die ganze Baugruppe vorsichtig in den Spitzenkegel. Lassen Sie danach die Feder los.

2-20 µl und 5-50 µl: Schieben Sie die Feder 13, die Federstütze 16, die Röhren 17 und 18, den größeren O-Ring 19 sowie den kleineren O-Ring 20 wieder auf den Kolben. Drücken Sie die Feder mit den Fingern zusammen, indem Sie den Kolben und die Federstütze 16 gegeneinander drücken, und schieben Sie den größeren O-Ring 19, den kleineren O-Ring 20, die Federstütze 21 und die Feder 22 (den kleineren Durchmesser der Federstütze 21 zugewandt) auf den Kolben.

Halten Sie die Feder gedrückt und schieben Sie die ganze Baugruppe vorsichtig in den Spitzenkegel. Danach können Sie die Feder loslassen.

10-100 µl und 20-200 µl: Schieben Sie die Feder 13, die Federstütze 16 und den O-Ring 17 wieder auf den Kolben. Schieben Sie die ganze Baugruppe in den Spitzenkegel.

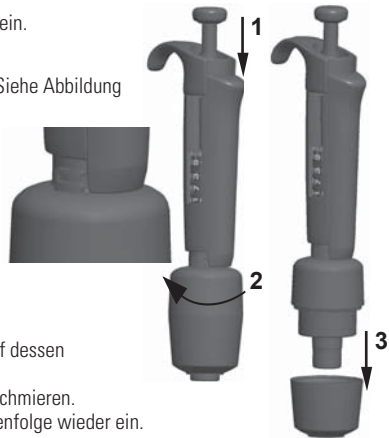
100-1000 µl: Schieben den O-Ring 17 und den Stützring 16 in den Spitzenkegel. Schieben Sie die Feder 13 auf den Kolben und danach die ganze Baugruppe in den Spitzenkegel.

9. **Alle:** Setzen Sie die Feder 15 und die Stütze 14 auf den Spitzenkegel. Schieben Sie die Spitzenkegeleinheit vorsichtig in den Griff. Bringen Sie den Spitzenkegel an, indem sie diesen zunächst mit der Hand im Uhrzeigersinn drehen und anschließend mit dem Wartungswerkzeug festziehen.

10. Bauen Sie den Spitzenauswerfer wieder ein.

Pipetten von 0,5-5 ml und 1-10 ml

1. Drücken Sie auf den Spitzenauswerfer. (Siehe Abbildung auf Seite 18.)
2. Öffnen Sie den Spitzenauswerfer 10, indem Sie ihn gegen den Uhrzeigersinn drehen.
3. Nehmen Sie das Unterteil des Spitzenauswerfers 14 auseinander (Einschnapphalterung).
4. Drehen Sie den Zylinder 13 gegen den Uhrzeigersinn und ziehen Sie die Spitzenkegelbaugruppe heraus.
5. Entfernen Sie den Zylinder, indem Sie auf dessen Einschnapphalterung drücken.
6. O-Ring 12 und Zylinder 13 reinigen und schmieren.
7. Bauen Sie die Teile in umgekehrter Reihenfolge wieder ein.

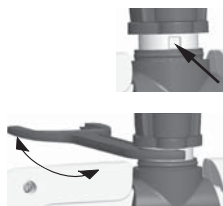


Langfristige Wartung, Mehrkanalpipetten

Falls die Pipette täglich verwendet wird, sollte sie alle drei Monate überprüft und geschmiert werden.

1. Stecken Sie den Wartungswerkzeugkopf #1 zwischen Ring 15 und Auswerfer 23. Drücken Sie das Werkzeug, bis sich die Teile voneinander lösen.
2. Achten Sie darauf, dass der Auswerferhebel in der oberen Position ist, und ziehen Sie den Auswerferbereich des Moduls nach unten. Stecken Sie den Werkzeugkopf #2 in das Loch der Adapterröhre 46.

3. Öffnen Sie das untere Ende des Spitzenauswerfers ein kleines Stück weit und nehmen Sie den Auswerfer heraus.
4. Schrauben Sie das Modul aus dem Griff.
5. Ziehen Sie die Modulfeder 19 und die Klemme 22 heraus.
6. Drücken Sie die Feder 13 und lösen Sie die Arretierungen 12 aus der Nut. Entfernen Sie die Feder 13.
7. Entfernen Sie die Arretierungskralen 44 und 45 und ziehen Sie die Adapterröhre sowie die Röhre 43 heraus
8. Lösen Sie mit einem Schraubenzieher die vier Schrauben der Modulabdeckung und entfernen Sie die Abdeckung.
9. Entfernen Sie die Kolbenstange und reinigen Sie Kolben und Spitzenkegel mit einem trockenen, fusselfreien Tuch.
10. Warten Sie bei Bedarf die Spitzenkegel:



16 Kanäle, 1-10 µl: Die Wartung der Spitzenkegel ist nicht möglich. Bitte ersetzen Sie verschlissene Kegel durch neue.

30-300 µl, 10-100 µl & 5-50 µl: Öffnen Sie den Spitzenkegel, indem Sie den Schutzring vorsichtig mit einem Schraubenzieher aus der Einschnapphalterung lösen. Nehmen Sie alle Teile aus dem Spitzenkegel. Säubern Sie sämtliche Teile. Wechseln Sie bei Bedarf die O-Ringe aus. Nehmen Sie einen Kolben. Schieben Sie die Feder 33, den Schutzring 32 (größeres Loch), die Feder 34, den Stützring 35, den O-Ring 37 (größer, 5-50µl/10-100µl) und den O-Ring 36 (kleiner) auf den Kolben. Schmieren Sie den O-Ring mit dem Schmiermittel, das mit der Pipette geliefert wird. Schieben Sie alle Teile in den Spitzenkegel und schließen Sie die Einschnapphalterung des Schutzrings.

1-10 µl: Öffnen Sie den Spitzenkegel, indem Sie den Schutzring vorsichtig mit einem Schraubenzieher aus der Einschnapphalterung lösen. Nehmen Sie alle Teile aus dem Spitzenkegel. Säubern Sie sämtliche Teile. Wechseln Sie bei Bedarf die O-Ringe aus. Nehmen Sie einen Kolben. Schieben Sie die Feder 33, den Schutzring 32 (größeres Loch), die Stütze 35, den O-Ring 36 (größer), den O-Ring 37 (kleiner) sowie die O-Ringstütze 38 auf den Kolben. Schieben Sie danach die Feder 39, die Federstütze 40 (scharfe Kante zuerst) und den O-Ring 41 auf die O-Ringstütze 38. Schmieren Sie die O-Ringe mit dem Schmiermittel, das mit der Pipette geliefert wird. Schieben Sie alle Teile in den Spitzenkegel und schließen Sie die Einschnapphalterung des Schutzrings.

11. Setzen Sie Kolbenstange, Kolben und Spitzenkegel in die Abdeckung ein. Positionieren Sie die Ausrichtungsbolzen beim Zusammensetzen des Moduls auf derselben Seite. Befestigen Sie die Abdeckung mit den vier Schrauben. Setzen Sie die Klemme 22 ein.
12. Setzen Sie die Adapterröhre und die Röhre 43 auf den Hals des Moduls und bringen Sie die Arretierungskralen 44 und 45 an. Setzen Sie die Modulfeder 19 ein.
13. Setzen Sie die Feder 13 und die Arretierungen 12 in die Kolbenstange 16 ein.
14. Setzen Sie den Spitzenauswerfer auf das Modul. Schieben Sie die Feder 19 in den Spitzenauswerfer. Schließen Sie das obere Ende des Auswerfers und halten Sie es mit den Fingern zusammen.
15. Schrauben Sie das Modul in den Griff und ziehen Sie es mit Werkzeugkopf #2 fest an.
16. Drücken Sie den Spitzenauswerferhebel nach unten, bis Sie ein Klickgeräusch hören.

Wartung der Spitzenkegel von Mehrkanalpipetten

Um die gleichmäßige Funktion aller Kanäle der Mehrkanalpipette sicherzustellen, müssen stets alle Spitzenkegel gleichzeitig ausgetauscht werden. Verwenden Sie keinesfalls eine Kombination von Spitzenkegeln aus verschiedenen Packungen, da die in einer Packung enthaltenen Kegel jeweils genau aufeinander abgestimmt sind. Positionieren Sie die Ausrichtungsbolzen beim Zusammensetzen des Moduls auf derselben Seite. Siehe Abbildung auf Seite 71.

Sterilisieren

Das Spitzenkegelmodul kann sterilisiert werden, indem es bei 121°C (252 °F) (2 ata) 20 Minuten lang autoklaviert wird. Nötigenfalls können Dampfsterilisationstaschen verwendet werden.

Das Herausnehmen des Moduls aus der Pipette und das Wiedereinsetzen sind im Abschnitt *Wartung* beschrieben. Nach dem Autoklavieren muss das Modul mindestens zwei Stunden lang auf Raumtemperatur abgekühlt werden. Achten Sie vor dem Pipettieren darauf, dass das Modul trocken ist. Wir empfehlen, nach jedem Sterilisationsdurchgang die Kalibrierung zu prüfen.

Fehlerbehebung

Die unten stehende Tabelle listet mögliche Probleme und Lösungsvorschläge auf.

Fehler	Mögliche Ursache	Lösung
<i>Undichtigkeit</i>	<i>Spitze nicht ordnungsgemäß befestigt</i> <i>Fremdkörper zwischen Spitze und Spitzenhalterung</i> <i>Fremdkörper zwischen Kolben, O-Ring und Zylinder</i> <i>Zu wenig Schmiermittel auf Zylinder und O-Ring</i> <i>O-Ring beschädigt</i>	<i>Ordnungsgemäß befestigen.</i> <i>Spitzenhalterung reinigen und neue Spitze anbringen.</i> <i>O-Ring und Zylinder reinigen und schmieren.</i> <i>Ordnungsgemäß schmieren.</i> <i>O-Ring austauschen.</i>
<i>Ungenauere Ausgabe</i>	<i>Falsche Handhabung</i> <i>Spitze nicht ordnungsgemäß befestigt</i> <i>Geänderte Kalibrierung: verursacht durch z. B. falsche Verwendung</i> <i>Spitzenkegel (Einzelkanal) oder Modul (Mehrkanal) gelockert</i>	<i>Anleitung genau befolgen.</i> <i>Ordnungsgemäß befestigen.</i> <i>Gemäß Anleitung neu kalibrieren.</i> <i>Spitzenkegel bzw. Modul mit dem Wartungswerkzeug festziehen.</i>
<i>Kolben klemmt</i>	<i>Pipette wurde längere Zeit nicht genutzt</i> <i>Wiederholte Pipettierung leichtflüchtiger Lösungsmittel resultiert in Schmierfettverlust</i>	<i>Spitze abnehmen, falls noch angebracht. Kolben mehrfach gegen den zweiten Anschlag drücken und loslassen, um das Schmiermittel wieder zu verteilen.</i>
<i>Ungenauere Ausgabe bei manchen Flüssigkeiten</i>	<i>Ungeeignete Kalibrierungsmethode</i> <i>Hochviskose Flüssigkeiten könnten neue Kalibrierung erfordern</i>	<i>Für manche Flüssigkeiten neu kalibrieren.</i>

ACHTUNG!

Die Finnpipette wurde konzipiert um eine einfache Verwendung im Labor zu gewährleisten. Wenn Sie uns oder dem Vertreter vor Ort Ihre Pipette zukommen lassen wollen, stellen Sie bitte sicher, dass die Pipette dekontaminiert wurde, bevor Sie sie versenden.

Beachten Sie bitte, dass die Postbehörden in Ihrem Land den Transport von verunreinigtem Material auf dem Postweg untersagen oder einschränken könnten.

Description du produit

La Finnpiquette F2 est une micropipette polyvalente à volume variable pour l'échantillonnage et la distribution de volumes liquides précis de.

Elle fonctionne selon le principe du déplacement d'air (volume d'air entre piston et liquide) et utilise des cônes jetables.

Le volume sélectionné apparaît sur un écran numérique situé sur le corps de la pipette.

Les treize modèles de Finnpiquette F2 couvrent une gamme de 0,2 µl à 10 ml.

Référence	Plage de volumes	Code couleur	Embout Finntip
4642010	0,2 µl à 2 µl	rose	Flex 10, 10, 20, 50
4642020	0,5 µl à 5 µl	rose	Flex 10, 10, 20, 50
4642030	1 µl à 10 µl	rose	Flex 10, 10, 20, 50
4642040	1 µl à 10 µl	jaune	Flex 200, 250 Univ., 200 Ext, 300, Flex 300
4642050	2 µl à 20 µl	violet	20, 50
4642060	2 µl à 20 µl	jaune	Flex 200, 250 Univ., 200 Ext, 300, Flex 300
4642120	5 µl à 50 µl	violet	50
4642130	5 µl à 50 µl	jaune	Flex 200, 250 Univ., 200 Ext, 300, Flex 300
4642070	10 µl à 100 µl	jaune	Flex 200, 250 Univ., 200 Ext, 300, Flex 300
4642080	20 µl à 200 µl	jaune	Flex 200, 250 Univ., 200 Ext, 300, Flex 300
4642090	100 µl à 1000 µl	bleu	Flex 1000, 1000, 1000 Ext
4642100	0,5 ml à 5 ml	vert	5 ml
4642110	1 ml à 10 ml	rouge	10 ml, Flex 10 ml Ext

Les quinze modèles de Finnpiquette F2 Fixed Volume couvrent une gamme de 1 µl à 10 ml.

Référence	Plage de volumes	Code couleur	Embout Finntip
4652000	1 µl	rose	Flex 10, 10, 20, 50
4652010	5 µl	rose	Flex 10, 10, 20, 50
4652020	10 µl	jaune	Flex 200, 250 Univ., 200 Ext, 300, Flex 300
4652130	20 µl	jaune	Flex 200, 250 Univ., 200 Ext, 300, Flex 300
4652030	25 µl	jaune	Flex 200, 250 Univ., 200 Ext, 300, Flex 300
4652040	50 µl	jaune	Flex 200, 250 Univ., 200 Ext, 300, Flex 300
4652050	100 µl	jaune	Flex 200, 250 Univ., 200 Ext, 300, Flex 300
4652140	200 µl	jaune	Flex 200, 250 Univ., 200 Ext, 300, Flex 300
4652060	250 µl	bleu	Flex 1000, 1000, 1000 Ext
4652070	500 µl	bleu	Flex 1000, 1000, 1000 Ext
4652080	1000 µl	bleu	Flex 1000, 1000, 1000 Ext
4652090	2000 µl	vert	5 ml
4652100	3000 µl	vert	5 ml
4652110	5000 µl	vert	5 ml
4652120	10000 µl	rouge	10 ml, Flex 10 ml Ext

Les dix modèles différents de Finnpiquette F2 Multiconduit couvrent une gamme de 1 µl à 300 ml.

Référence	Conduit	Plage de volumes	Code couleur	Embout Finntip
4662000	8	1 µl à 10 µl	rose	Flex 10, 10, 20, 50
4662010	8	5 µl à 50 µl	jaune	Flex 200, 250 Univ., 200 Ext, 300, Flex 300
4662020	8	10 µl à 100 µl	jaune	Flex 200, 250 Univ., 200 Ext, 300, Flex 300
4662030	8	30 µl à 300 µl	orange	Flex 300, 300
4662040	12	1 µl à 10 µl	rose	Flex 10, 10, 20, 50
4662050	12	5 µl à 50 µl	jaune	Flex 200, 250 Univ., 200 Ext, 300, Flex 300
4662060	12	10 µl à 100 µl	jaune	Flex 200, 250 Univ., 200 Ext, 300, Flex 300
4662070	12	30 µl à 300 µl	orange	Flex 300, 300
4662080	16	1 µl à 10 µl	pourpre	Flex 10
4662090	16	5 µl à 50 µl	turquoise	50

Affichage numérique

Le volume sélectionné est indiqué sur l'écran numérique de la poignée.



Matériaux de fabrication

La Finnpiquette F2 est fabriquée à partir de matériaux à haute résistance mécanique et chimique.

Description des cônes

Il est recommandé d'utiliser les cônes Finntip avec les Finnpiquettes F2.

Ces cônes sont en polypropylène incolore, de haute qualité, seule matière considérée comme non contaminante. Les Finntip sont également autoclavables (121°C).

Conditionnement

La Finnpiquette F2 est livrée dans un emballage spécial contenant les éléments suivants :

1. Finnpiquette
2. Clé d'entretien
3. Clé d'entretien multicanal
4. Échantillon Finntip
5. Tube de graisse (**Référence 2203130**)
6. Guide d'utilisation
7. Certificat de calibrage / Certificat de garantie
8. Porte-pipettes (**Référence 2206040**)
9. Deux autocollants

Consignes de sécurité

Les mises en garde sont indiquées par ce symbole .

Utilisation attendue

Cet appareil a été conçu pour transférer des volumes de liquides compris entre 0,2 µl à 10 ml. La pipette Finnpiquette F2 et les cônes Finntips sont conçus pour être utilisés dans des analyses et il incombe à l'utilisateur de valider le système afin de garantir des résultats sûrs et fiables.



Effets sur la santé

- ▶ Suivre les procédures générales de prévention des risques et de sécurité (par exemple : port de vêtements de protection, de lunettes de protection et de gants).
- ▶ Pour l'utilisation et l'élimination des matériaux dangereux (radioactifs ou potentiellement infectieux, par exemple), suivre les consignes de sécurité et les bonnes pratiques de laboratoire.
- ▶ Les pipettes et les cônes ne sont pas prévus pour être utilisés in vivo. Ne pas utiliser ce dispositif pour pipeter des liquides destinés à être injectés dans le corps humain.
- ▶ Ne pas éjecter le cône vers une personne.

La pipette Finnpiquette F2 doit être utilisée par des personnes dûment formées, dotées des compétences nécessaires pour travailler dans un laboratoire. Les instructions d'utilisation doivent être lues avant et, au besoin, pendant l'utilisation du dispositif (pipette et cône). La pipette F2 peut être utilisée entre +4°C et +40°C.



Résultats incorrects

- ▶ Les performances peuvent varier en fonction des paramètres suivants :
 - a. la méthode de pipetage (technique de pipetage directe recommandée)
 - b. la température (air, liquide, contenants, pipette et cône)
 - c. la pression
 - d. l'humidité
 - e. l'opérateur, par ex. : mouvement du pouce, angle de pipetage
 - f. la densité du liquide, la viscosité et la pression
 - g. le type de cône

- ▶ Si les performances du pipetage sont essentielles au résultat d'une application, le résultat doit être garanti par un test alternatif ou, si cela n'est pas possible, par des tests répétés. La possibilité de distribuer un volume incorrect lors du pipetage ne peut pas être totalement écarté.
- ▶ Pour éviter une distribution incorrecte et/ou une fuite, vérifier que le cône est correctement fixé à la pipette.
- ▶ Ne jamais tourner le bouton de réglage du volume au-delà de la plage de volume de la pipette. Cela risquerait d'endommager la pipette ou d'affecter les performances du pipetage.
- ▶ Les performances du pipetage ne peuvent être garanties en cas de réutilisation du cône.
- ▶ Toujours utiliser un cône et une pipette de code couleur assorti.

Élimination des déchets

Suivre les procédures locales pour éliminer les déchets nocifs pour l'organisme ou radioactifs. Se reporter à la réglementation locale pour l'élimination de matériaux infectieux.

Avertissement Les cônes peuvent être potentiellement infectieux. Éliminer tous les cônes jetables utilisés comme des déchets présentant un risque biologique.

Avertissement Décontaminer la pipette avant de s'en servir. Consulter.

Pour obtenir des instructions sur l'évacuation des déchets, contactez le service de l'environnement le plus proche. Pour plus d'informations, nous contacter à l'adresse suivante : **info.pipettes@thermofisher.com**.

Pour les matériaux d'emballage d'origine, utiliser les compagnies de recyclage habituelles.

Pour de plus amples informations, contacter le représentant Thermo Fisher Scientific local.

Utilisation de la pipette

Réglage du volume à pipeter

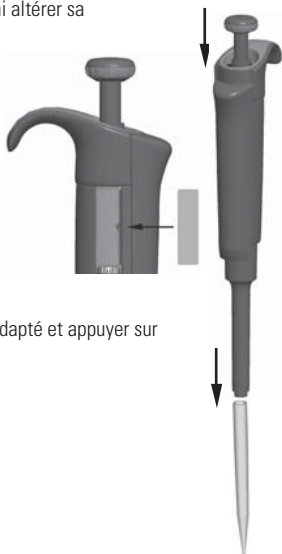
1. Régler le volume souhaité à l'aide du bouton-poussoir situé sur le haut de la pipette. Pour augmenter le volume, tourner le bouton dans le sens inverse des aiguilles d'une montre. Pour diminuer le volume, le tourner dans le sens des aiguilles d'une montre.
2. S'assurer que les chiffres correspondants au volume désiré sont correctement affichés sur l'écran numérique.
3. Ne pas afficher un volume hors de la gamme spécifiée pour la pipette.

Pour ne pas endommager le mécanisme de la pipette ni altérer sa précision, éviter de forcer sur le bouton-poussoir.



Étiquette de sécurité

L'étiquette de sécurité permet d'inscrire l'application de la pipette, les initiales de l'utilisateur, la date du calibrage, etc. Retirer l'ancienne étiquette à l'aide d'un objet pointu. Utiliser un crayon pour écrire sur la nouvelle étiquette, puis insérer l'étiquette dans son logement.



Éjection des cônes

Pour éliminer tout risque de contamination, chaque pipette est munie d'un dispositif d'éjection des cônes.

Pour éjecter le cône, diriger la pipette vers un réceptacle adapté et appuyer sur l'éjecteur avec le pouce.

Méthodes de pipetage

Manier toujours le bouton-poussoir avec douceur, surtout avec des liquides à forte viscosité. Ne jamais relâcher le bouton-poussoir brusquement.

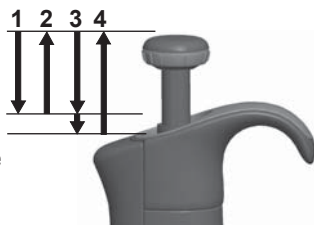
S'assurer que le cône est fermement emboîté sur l'embase porte-cône. Vérifier que le cône est propre.

Humidifier le cône avec la solution à pipeter avant de procéder au pipetage définitif (en remplissant et vidant 2 ou 3 fois le cône). Tenir la pipette en position verticale durant la manipulation. Le Grip-index doit reposer sur l'index de l'utilisateur. La température de la pipette et du cône doit être identique à celle de la solution.

Méthode directe

Remplir un réservoir propre avec le liquide à pipeter.

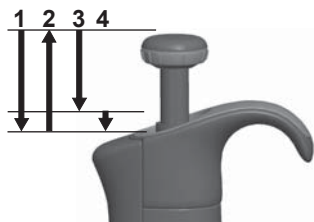
1. Appuyer sur le bouton-poussoir jusqu'au premier cran.
2. Plonger d'environ 1 cm le cône dans le liquide puis relâcher lentement le bouton-poussoir. Retirer le cône en l'appliquant contre la paroi du réservoir afin d'éliminer le liquide en excès.
3. Distribuer le liquide en appuyant doucement sur le bouton-poussoir jusqu'au premier cran. Marquer un temps d'arrêt d'environ une seconde, puis appuyer jusqu'au deuxième cran. Cette action videra complètement le cône.
4. Relâcher le bouton jusqu'à sa position de repos. Changer le cône si nécessaire, puis continuer le pipetage.



Méthode inverse

La méthode inverse convient pour pipeter des liquides à forte viscosité ou ayant tendance à mousser facilement. Cette méthode est également recommandée pour les faibles volumes. Remplir un réservoir propre avec le liquide à pipeter.

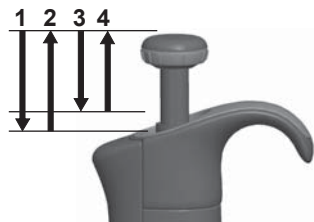
1. Enfoncer le bouton-poussoir jusqu'au deuxième cran.
2. Plonger d'environ 1 cm le cône dans le liquide puis relâcher délicatement le bouton-poussoir. Le cône se remplira. Retirer le cône en l'appliquant contre la paroi du réservoir afin d'éliminer le liquide en excès.
3. Distribuer le volume prélevé en enfonçant délicatement le bouton jusqu'au premier cran. Maintenir le bouton-poussoir dans cette position. Une partie du liquide doit rester dans le cône et ne sera pas distribuée.
4. Le liquide restant est éliminé avec le cône ou reversé dans le réservoir.



Méthode répétitive

La méthode répétitive est une méthode simple et rapide pour la distribution répétée d'un même liquide. Remplir un réservoir propre avec le liquide à distribuer.

1. Enfoncer le bouton-poussoir jusqu'au deuxième cran.
2. Plonger d'environ 1 cm le cône dans le liquide puis relâcher lentement le bouton-poussoir. Le cône se remplira.
3. Distribuer le volume prélevé en appuyant lentement le bouton jusqu'au premier cran. Maintenir le bouton-poussoir dans cette position. Une partie du liquide doit rester dans le cône et ne sera pas distribuée.
4. Continuez le pipetage en répétant les étapes 3 et 4.



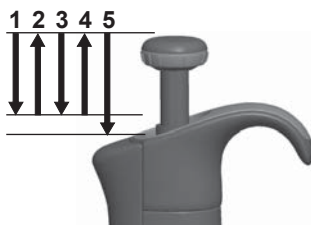
Pipetage de sang total

(ex. déprotéinisation du sang pour dosage de glucose)

Pour prélever l'échantillon de sang, suivre les étapes 1 et 2 de la méthode directe.

Essuyer soigneusement le cône à l'aide d'un mouchoir en papier propre et sec.

1. Plonger le cône dans le réactif et enfoncer le bouton-poussoir jusqu'au premier cran, en s'assurant que la pointe est bien dans le liquide.
2. Relâcher délicatement le bouton-poussoir jusqu'à sa position de repos.
Le cône se remplira. Ne pas sortir le cône de la solution.
3. Enfoncer le bouton-poussoir jusqu'au premier cran puis le relâcher lentement. Répéter cette opération jusqu'à ce que l'intérieur du cône soit propre.
4. Enfin, enfoncer le bouton-poussoir jusqu'au deuxième cran pour vider complètement le cône.



Calibrage

Toutes les Finnpiquette sont réglées et calibrées en usine avec de l'eau distillée ou déionisée, selon la méthode de pipetage direct. Les pipettes sont conçues de sorte à pouvoir utiliser des liquides de différentes températures et viscosités.

Matériel et conditions de test

Utiliser une balance analytique. Les spécifications de la balance doivent être choisies en fonction du volume contrôlé de la pipette :

Volumes	Sensibilité de la balance
inférieurs à 10 μ l	0,001 mg
10-100 μ l	0,01 mg
supérieurs à 100 μ l	0,1 mg

Liquide test : eau distillée ou déionisée, grade 3, conforme à la norme ISO 3696. Les tests doivent être effectués dans une pièce climatisée avec une température d'eau, de pipette et d'air constante ($\pm 0,5^{\circ}\text{C}$) située entre 20°C et 25°C . L'humidité relative doit être supérieure à 50 %. Pour les volumes inférieurs à 50 μ l en particulier, l'humidité de l'air doit être la plus élevée possible pour réduire la perte par évaporation. Des accessoires spécifiques, tels qu'un piège à évaporation, sont recommandés.

Procédure de vérification du calibrage

La pipette est vérifiée au volume maximum (volume nominal) et au volume minimum. Chaque nouveau cône est d'abord pré-humidifié 3 à 5 fois, et une série de dix pipetages est réalisée pour chacun des deux volumes. Une pipette est toujours réglée pour distribuer le volume sélectionné. L'utilisation de la méthode de pipetage directe est recommandée. Les erreurs tolérables maximales sont fournies pour la méthode de pipetage directe. Il est conseillé d'étalonner tous les canaux des pipettes multicanaux, cependant une méthode acceptable consiste à étalonner seuls les canaux des extrémités. L'ajustage se réalise alors sur un canal central. Il est également recommandé d'utiliser les erreurs maximales tolérées définies par la norme ISO 8655, voir tableau ci-dessous ou des spécifications propres à chaque utilisateur.

Procédure :

1. Effectuer 10 pipetages au volume minimum.
2. Effectuer 10 pipetages au volume maximum.
3. Calculer la justesse (E) et la répétabilité (cv) des deux séries.
4. Comparer les résultats aux tolérances du tableau 1.

Si les résultats calculés se trouvent dans les limites de tolérance sélectionnées, c'est que le réglage de la pipette est correct.

Spécifications d'étalonnage ISO 8655

Spécifications Thermo Scientific Finnpiquette F2 selon la norme ISO 8655.

Finnpiquette F2 monocanal à volume variable

Gamme	Volumés μl	Erreur de justesse		Erreur de répétabilité	
		μl	%	s.d. μl	cv%
0,2-2 μl	2	± 0.080	± 4	0.040	2.0
	0.2	± 0.080	± 40	0.040	20.0
0,5-5 μl	5	± 0.125	± 2.5	0.075	1.5
	0.5	± 0.125	± 25	0.075	15
1-10 μl	10	± 0.120	± 1.2	0.080	0.8
	1	± 0.120	± 12	0.080	8.0
2-20 μl	20	± 0.20	± 1.0	0.10	0.5
	2	± 0.20	± 10.0	0.10	5.0
5-50 μl	50	± 0.50	± 1.0	0.20	0.4
	5	± 0.50	± 10	0.20	4.0
10-100 μl	100	± 0.80	± 0.8	0.30	0.3
	10	± 0.80	± 8.0	0.30	3.0
20-200 μl	200	± 1.60	± 0.8	0.60	0.3
	20	± 1.60	± 8.0	0.60	3.0
100-1000 μl	1000	± 8.0	± 0.8	3.0	0.3
	100	± 8.0	± 8.0	3.0	3.0
0,5-5 ml	5000	± 40.0	± 0.8	15.0	0.3
	500	± 40.0	± 8.0	15.0	3.0
1-10 ml	10000	± 60.0	± 0.6	30.0	0.3
	1000	± 60.0	± 6.0	30.0	3.0

Finnpiquette F2 monocanal à volume fixe

Fixed Volume μl	Erreur de justesse		Erreur de répétabilité	
	μl	%	s.d. μl	cv%
1	± 0.050	± 5.00	0.050	5.00
5	± 0.125	± 2.50	0.075	1.50
10	± 0.120	± 1.20	0.080	0.80
20	± 0.20	± 1.00	0.10	0.50
25	± 0.50	± 2.00	0.20	0.80
50	± 0.50	± 1.00	0.20	0.40
100	± 0.80	± 0.80	0.30	0.30
200	± 1.60	± 0.80	0.60	0.30
250	± 4.00	± 1.60	1.50	0.60
500	± 4.00	± 0.80	1.50	0.30
1000	± 8.00	± 0.80	3.00	0.30
2000	± 16.0	± 0.80	6.00	0.30
3000	± 40.0	± 1.33	15.00	0.50
5000	± 40.0	± 0.80	15.00	0.30
10000	± 60.0	± 0.60	30.00	0.30

Finnpiquette F2 multicanaux à volume variable

Gamme	Conduit	Volumés μl	Erreur de justesse		Erreur de répétabilité	
			μl	%	s.d. μl	cv%
1-10 μl	8, 12, 16	10	± 0.24	± 2.4	0.16	1.6
		1	± 0.24	± 24	0.16	16
5-50 μl	8, 12, 16	50	± 1.0	± 2.0	0.4	0.8
		5	± 1.0	± 20	0.4	8.0
10-100 μl	8, 12	100	± 0.80	± 0.8	0.30	0.3
		10	± 0.80	± 8.0	0.30	3.0
30-300 μl	8, 12	300	± 8.0	± 2.7	3.0	1.0
		30	± 8.0	± 26.7	3.0	10.0

Spécifications d'usine

Finnpipette F2 monocanal à volume variable

Gamme	Volumen μl	Erreur de justesse		Erreur de répétabilité		Pointes utilisées par le constructeur
		μl	%	s.d. μl	cv%	
0,2-2 μl	2	$\pm 0,050$	$\pm 2,50$	0,040	2,00	Flex 10
	0,2	$\pm 0,024$	$\pm 12,00$	0,020	10,00	
0,5-5 μl	5	$\pm 0,075$	$\pm 1,50$	0,050	1,00	Flex 10
	0,5	$\pm 0,030$	$\pm 6,00$	0,025	5,00	
1-10 μl , micro	10	$\pm 0,100$	$\pm 1,00$	0,050	0,50	Flex 10
	1	$\pm 0,025$	$\pm 2,50$	0,020	2,00	
1-10 μl	10	$\pm 0,100$	$\pm 1,00$	0,080	0,80	Flex 200
	1	$\pm 0,035$	$\pm 3,50$	0,030	3,00	
2-20 μl , micro	20	$\pm 0,20$	$\pm 1,00$	0,08	0,40	50
	2	$\pm 0,06$	$\pm 3,00$	0,05	2,50	
2-20 μl	20	$\pm 0,20$	$\pm 1,00$	0,08	0,40	Flex 200
	2	$\pm 0,06$	$\pm 3,00$	0,05	2,50	
5-50 μl , micro	50	$\pm 0,30$	$\pm 0,60$	0,15	0,30	50
	5	$\pm 0,15$	$\pm 3,00$	0,125	2,50	
5-50 μl	50	$\pm 0,30$	$\pm 0,60$	0,15	0,30	Flex 200
	5	$\pm 0,15$	$\pm 3,00$	0,125	2,50	
10-100 μl	100	$\pm 0,80$	$\pm 0,80$	0,20	0,20	Flex 200
	10	$\pm 0,30$	$\pm 3,00$	0,10	1,00	
20-200 μl	200	$\pm 1,2$	$\pm 0,60$	0,4	0,20	Flex 200
	20	$\pm 0,36$	$\pm 1,80$	0,14	0,70	
100-1000 μl	1000	$\pm 6,0$	$\pm 0,60$	2,0	0,20	Flex 1000
	100	$\pm 1,0$	$\pm 1,00$	0,6	0,60	
0,5-5 ml	5000	$\pm 25,0$	$\pm 0,50$	10,0	0,20	5 ml
	500	$\pm 10,0$	$\pm 2,00$	4,0	0,80	
1-10 ml	10000	$\pm 50,0$	$\pm 0,50$	20,0	0,20	10 ml
	1000	$\pm 20,0$	$\pm 2,00$	8,0	0,80	

Finnpipette F2 monocanal à volume fixe

Fixed Volume μl	Erreur de justesse		Erreur de répétabilité		Pointes utilisées par le constructeur
	μl	%	s.d. μl	cv%	
1	$\pm 0,040$	$\pm 4,00$	0,040	4,00	Flex 10
5	$\pm 0,070$	$\pm 1,40$	0,070	1,40	Flex 10
10	$\pm 0,090$	$\pm 0,90$	0,080	0,80	Flex 200
20	$\pm 0,14$	$\pm 0,70$	0,10	0,50	Flex 200
25	$\pm 0,15$	$\pm 0,60$	0,125	0,50	Flex 200
50	$\pm 0,30$	$\pm 0,60$	0,20	0,40	Flex 200
100	$\pm 0,40$	$\pm 0,40$	0,30	0,30	Flex 200
200	$\pm 0,80$	$\pm 0,40$	0,60	0,30	Flex 200
250	$\pm 1,0$	$\pm 0,40$	0,75	0,30	Flex 1000
500	$\pm 1,5$	$\pm 0,30$	1,5	0,30	Flex 1000
1000	$\pm 3,0$	$\pm 0,30$	3,0	0,30	Flex 1000
2000	$\pm 6,0$	$\pm 0,30$	4,0	0,20	5 ml
3000	$\pm 9,0$	$\pm 0,30$	6,0	0,20	5 ml
4000	$\pm 12,0$	$\pm 0,30$	8,0	0,20	5 ml
5000	$\pm 15,0$	$\pm 0,30$	10,0	0,20	5 ml
10000	$\pm 30,0$	$\pm 0,30$	20,0	0,20	10 ml

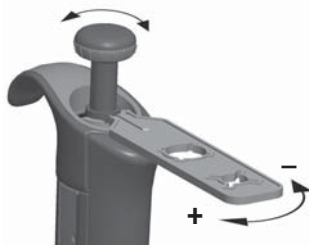
Finnpipette F2 multicanaux à volume variable

Gamme	Conduit	Volumés μl	Erreur de justesse		Erreur de répétabilité		Pointes utilisées par le constructeur
			μl	%	s.d. μl	cv%	
1.0-10 μl	8, 12, 16	10	$\pm 0,240$	$\pm 2,40$	0,160	1,60	Flex 10
		1	$\pm 0,120$	$\pm 12,00$	0,080	8,00	
5-50 μl	8, 12, 16	50	$\pm 0,75$	$\pm 1,50$	0,35	0,70	Flex 200
		5	$\pm 0,25$	$\pm 5,00$	0,10	2,00	
10-100 μl	8, 12	100	$\pm 1,30$	$\pm 1,30$	0,50	0,50	Flex 200
		10	$\pm 0,50$	$\pm 5,00$	0,20	2,00	
30-300 μl	8, 12	300	$\pm 3,0$	$\pm 1,00$	0,9	0,30	Flex 300
		30	$\pm 1,5$	$\pm 5,00$	0,6	2,00	

Réglage

Le réglage est effectué uniquement pour un volume. Réglage recommandé : volume minimal ou bien 10 % du volume maximal. Les pipettes multicanaux sont ajustées sur un canal central.

1. Placer la clé dans les crans de la bague de calibrage située au-dessous du bouton-poussoir.
2. Tourner la clé dans le sens des aiguilles d'une montre pour augmenter le volume ou dans le sens contraire pour le diminuer.
3. Une fois le réglage terminé, vérifier à nouveau le calibrage en suivant les instructions données ci-dessus.



Calculs

Conversion des poids en volume

$$V = (w + e) \times Z$$

V = volume (μl)

w = poids (mg)

e = perte par évaporation (mg)

Z = facteur de conversion pour $\mu\text{l}/\text{mg}$

La perte par évaporation peut être importante avec les micro-volumes. Pour déterminer la perte de masse, verser de l'eau dans un bécher ou une fiole, noter le poids et déclencher un chronomètre. Noter le poids indiqué au bout de 30 secondes (ex. 6 mg = 0,2 mg/s).

Comparer ce résultat avec le temps de pipetage entre le tarage et la lecture du poids. Dans cet exemple, le temps de pipetage devrait être de 10 secondes et la perte de masse serait donc de 2 mg (10 s x 0,2 mg/s). En utilisant un piège à évaporation ou un couvercle sur bécher ou la fiole, l'erreur due à l'évaporation est négligeable et n'est donc pas prise en compte.

Le facteur Z permet de convertir le poids de l'eau en volume, à la température et à la pression de contrôle. Z est égal à 1,0032 $\mu\text{l}/\text{mg}$ à 22°C et 95 kPa. Se référer à la table de conversion page 63.

Erreur de justesse (erreur systématique)

La erreur de justesse correspond à la différence entre les volumes distribués et le volume sélectionné de la pipette.

$$E = \bar{V} - V_0$$

$\frac{E}{\bar{V}}$ = erreur de justesse
 \bar{V} = volume moyen
 V_0 = volume nominal

La erreur de justesse peut être exprimée en valeur relative : $E\% = 100\% \times E / V_0$

Erreur de répétabilité (erreur aléatoire)

Erreur de répétabilité des pipetages est exprimée par la déviation standard (s) ou le coefficient de variation (cv).

$$S = \sqrt{\frac{\sum_{i=1}^n (V_i - \bar{V})^2}{n-1}}$$

s = déviation standard
 \bar{V} = volume moyen
 n = nombre de mesures

La déviation standard peut être exprimée en valeur relative (CV) : $CV = 100\% \times s / \bar{V}$

Entretien

Lorsque la Finnpiquette F2 n'est pas utilisée, elle doit être rangée en position verticale. Pour cela, utiliser un porte-pipettes Finnpiquette.

Le numéro des pièces fait référence aux vues explosées présentées à partir de la page 64.

Entretien à court terme

Il est recommandé de vérifier avant chaque utilisation la propreté extérieure de la pipette. Une attention toute particulière doit être accordée à l'embase. Pour le nettoyage de la pipette, utiliser uniquement une solution d'éthanol à 70%.

Entretien à long terme, pipettes monocanal

Si la pipette est utilisée quotidiennement, elle doit être vérifiée tous les trois mois. La procédure d'entretien commence par le démontage de la pipette.

Pipettes 1-1000 µl

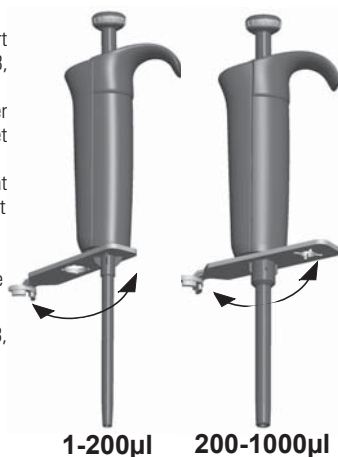
1. Appuyer sur l'éjecteur d'embout.
2. Tourner l'éjecteur d'embout 11 dans le sens inverse des aiguilles d'une montre et le sortir.
3. Tourner l'embout dans le sens inverse des aiguilles d'une montre à l'aide de la clé d'entretien.
4. Sortir le piston et les autres pièces. Sortir à l'aide du piston le reste du mécanisme.
Retourner l'embase et la tapoter pour faire sortir toutes les pièces. Maintenir toutes les pièces en ordre sur une table en vue du remontage.
5. Nettoyer le piston, le ressort du piston et les joints toriques avec un chiffon sec sans peluche.
6. Nettoyer l'embase de toute particule étrangère.
7. Lubrifier les pièces nettoyées en utilisant la graisse fournie avec la pipette.
8. Remonter les pièces de la pipette.

0,2-2 µl, 0,5-5 µl et 1-10 µl : Tout d'abord, faire glisser le ressort 22, le support de joint torique 23 et le joint torique 24 sur le tube 21. Sur le modèle 0,2-2 µl, introduire le tube 27 dans le tube 21. Puis remettre en place le ressort 13, le support de ressort 16 et les tubes 17 et 18, le gros joint torique 19 et le petit joint torique 20 en les faisant glisser sur le piston.

Comprimer le ressort avec les doigts en serrant le piston et le support de ressort 16 l'un contre l'autre, et faire glisser le tube 21 avec le reste des pièces sur le piston. Tenir le ressort serré et faire glisser soigneusement l'ensemble sur l'embase et libérer le ressort.

2-20 µl et 5-50 µl : Remettre en place le ressort 13, le support de ressort 16 et les tubes 17 et 18, le gros joint torique 19 et le petit joint torique 20 en les faisant glisser sur le piston. Comprimer le ressort avec vos doigts en serrant le piston et le support de ressort 16 l'un contre l'autre, et faire glisser le gros joint torique 19, le petit joint torique 20, le support de ressort 21 et le ressort 22 (petit diamètre contre le support de ressort 21) sur le piston. Tenir le ressort serré et faire glisser soigneusement l'ensemble sur l'embase et libérer le ressort.

10-100 µl et 20-200 µl : Remettre le ressort 13, le support de ressort 16 et le joint torique 17 sur le piston en les faisant glisser. Faire glisser l'ensemble dans l'embase.

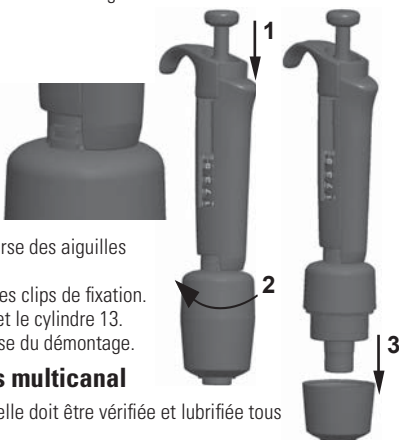


100-1000 µl : Mettre le joint torique 17 et l'anneau de support 16 sur l'embase. Faire glisser le ressort 13 sur le piston et faire glisser l'ensemble sur l'embase.

9. **Tous modèles** : Placer le ressort 15 et le support 14 en haut de l'embase porte-cône, puis insérer avec précaution l'ensemble de l'embase porte-cône sur la poignée. Fixer l'embase porte-cône en commençant par la faire tourner à la main dans le sens des aiguilles d'une montre et en finissant de serrer avec la clé de calibrage.
10. Remonter l'éjecteur d'embout.

Pipettes 0,5-5 ml et 1-10 ml

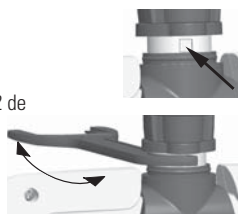
1. Appuyer sur l'éjecteur d'embout.
2. Tourner l'éjecteur d'embout 10 dans le sens inverse des aiguilles d'une montre pour l'ouvrir.
3. Démontez la partie inférieure de l'éjecteur d'embout 14 (clips de fixation).
4. Tourner le cylindre 13 dans le sens inverse des aiguilles d'une montre et sortir l'embase.
5. Retirer le cylindre 13 en appuyant sur ses clips de fixation.
6. Nettoyer et lubrifier le joint torique 12 et le cylindre 13.
7. Remonter les pièces dans le sens inverse du démontage.



Entretien à long terme, pipettes multicanal

Si la pipette est utilisée quotidiennement, elle doit être vérifiée et lubrifiée tous les trois mois.

1. Mettre la tête de la clé d'entretien n°1 entre la bague 15 et l'éjecteur 23. Pousser la clé jusqu'à ce que les pièces se désenclenchent les unes des autres.
2. Vérifier que le levier de l'éjecteur est en position verticale et tirer vers le bas la pièce de l'éjecteur d'embout du module. Placer la tête de la clé d'entretien n°2 dans le trou du tube de l'adaptateur 46.
3. Ouvrir légèrement l'extrémité supérieure de l'éjecteur d'embout et enlever l'éjecteur d'embout.
4. Dévisser le module de la poignée.
5. Extraire le ressort du module 19 et le clip 22.
6. Appuyer sur le ressort 13 et enlever les pièces de fixation 12 de la gorge. Enlever le ressort 13.
7. Enlever les pattes de fixation 44 et 45 et extraire le tube de l'adaptateur ainsi que le tube 43.
8. Utiliser un tournevis pour enlever les quatre vis du couvercle du module et soulever le couvercle pour l'ôter.
9. Enlever la barre du piston et nettoyer les pistons ainsi que les embases à l'aide d'un chiffon sec sans peluche.
10. Si nécessaire, faire l'entretien des embases :



16 canaux 1-10 µl : Il est impossible de faire l'entretien des embases ; les remplacer si nécessaire.

30-300 µl, 10-100 µl et 5-50 µl : Ouvrir l'embase en enlevant soigneusement la bague du couvercle de son joint à pression à l'aide du tournevis. Enlever toutes les pièces de l'embase. Nettoyer toutes les pièces. Si nécessaire, remplacer les joints toriques. Prendre un piston. Faire glisser le ressort 33, la bague du couvercle 32 (le trou le plus grand), le ressort 34, la bague de support 35, (le gros joint torique 37 5-50 µl/10-100µl) et le joint torique 36 (le petit) sur le piston. Graisser le joint torique à l'aide du lubrifiant fourni avec la pipette. Glisser toutes les pièces dans l'embase et fermer le joint à pression de la bague du couvercle.

1–10 µl : Ouvrir l'embase en enlevant soigneusement la bague du couvercle de son joint à pression à l'aide du tournevis. Enlever toutes les pièces de l'embase. Nettoyer toutes les pièces. Si nécessaire, remplacer les joints toriques. Prendre un piston. Faire glisser le ressort 33, la bague du couvercle 32 (le trou le plus grand), le support 35, le joint torique 36 (le plus grand), le joint torique 37 (le plus petit) et le support de joint torique 38 sur le piston. Glisser ensuite le ressort 39, le support de ressort 40 (les arêtes vives d'abord) et le joint torique 41 sur le support de joint torique 38. Graisser les joints toriques à l'aide du lubrifiant fourni avec la pipette. Glisser toutes les pièces dans l'embase et fermer le joint à pression de la bague du couvercle.

11. Monter la barre du piston avec les pistons et les embases dans le couvercle. Placez les goujons d'alignement du même côté pour monter le module. Fermer le couvercle en resserrant les quatre vis. Insérer le clip 22.
12. Placer le tube de l'adaptateur et le tube 43 sur le collet du module et insérer les pattes de fixation 44 et 45. Insérer le ressort du module 19.
13. Insérer le ressort 13 et les pièces de fixation 12 sur la tige du piston 16.
14. Placer l'éjecteur d'embout sur le module. Pousser le ressort 19 dans les pièces de l'éjecteur d'embout, fermer l'extrémité supérieure de l'éjecteur et la maintenir fermée avec les doigts.
15. Visser le module dans la poignée et le resserrer à l'aide de la tête de la clé d'entretien n° 2.
16. Pousser le levier de l'éjecteur d'embout vers le bas jusqu'à ce que vous entendiez un clic.

Instructions d'entretien des embases de pipettes multicanal

Pour que les performances des différents canaux d'une pipette multicanal soient homogènes, il faut remplacer toutes les embases en même temps en cas de remplacement de l'une d'elles. Il ne faut pas mélanger les embases de différents emballages parce que chaque paquet contient un assortiment d'embases. Placez les goujons d'alignement du même côté pour monter le module. Se référer à l'illustration en page 71.

Stérilisation

Le module porte-cône peut être stérilisé par autoclavage à 121°C. Le module porte-cône peut être stérilisé par autoclavage à 121°C (252°F) (2 ata) pendant 20 minutes. Si nécessaire, des sacs de stérilisation à vapeur peuvent être utilisés.

Retirer et remonter le module sur la pipette, comme décrit à la section Entretien. Après l'autoclavage, le module doit être refroidi à température ambiante pendant au moins deux heures. Avant de pipeter, s'assurer que le module est sec. Un contrôle de l'étalonnage est recommandé après chaque cycle de stérilisation.

ATTENTION !

Les Finnpiettes sont conçues pour permettre un entretien facile en laboratoire. Toutefois, si vous préférez que nous ou notre représentant local se charge de l'entretien de vos pipettes, assurez-vous que vous les avez décontaminées avant de nous les envoyer.

Remarque: les services postaux de certains pays peuvent interdire ou restreindre l'envoi par courrier de matériels contaminés.

En cas de problème

Le tableau ci-dessous donne une liste des problèmes éventuels et des solutions à apporter.

Problème	Cause probable	Solution
Fuite	<i>Cône mal emboîté</i>	<i>Bien vérifier la mise en place du cône.</i>
	<i>Poussières ou cristaux entre le cône et l'embase</i>	<i>Nettoyer l'embase et remettre un nouveau cône.</i>
	<i>Piston, joint torique et cylindre encrassés</i>	<i>Nettoyer et graisser le joint torique et le cylindre.</i>
	<i>Cylindre et joint torique insuffisamment lubrifiés</i>	<i>Graisser en conséquence.</i>
Volume incorrect	<i>Joint torique endommagé</i>	<i>Remplacer le joint torique.</i>
	<i>Utilisation incorrecte</i>	<i>Suivre attentivement les instructions.</i>
	<i>Cône mal emboîté</i>	<i>Bien vérifier la mise en place du cône.</i>
Piston bloqué	<i>Embase porte-cône (monocanal) ou module (multicanaux) desserré</i>	<i>Serrer l'embase porte-cône ou le module à l'aide de la clé de calibrage.</i>
	<i>La pipette n'a pas été utilisée pendant une période prolongée</i> <i>Procéder au pipetage répété d'un solvant très volatile pour éliminer le lubrifiant</i>	<i>Retirer l'embout s'il est fixé. Enfoncer le piston jusqu'au deuxième cran et l'actionner plusieurs fois pour bien étaler le lubrifiant.</i>
Volume incorrect avec certains liquides	<i>Calibrage modifié: causé par une mauvaise utilisation par exemple</i> <i>Calibrage inadapté.</i>	<i>Recalibrer en respectant les instructions.</i>
	<i>Les liquides très visqueux peuvent demander un recalibrage.</i>	<i>Recalibrer en fonction du liquide utilisé.</i>

Descripción del producto

La FinnpiPETTE F2 es una micropipeta ajustable progresivamente y de propósito general, para el muestreo y la dispensación de volúmenes de líquido exactos.

Su funcionamiento se basa en el principio de desplazamiento de aire (es decir, en medio aéreo) y utiliza puntas separables y desechables.

El volumen de dispensación seleccionado se muestra digitalmente en una ventana de lectura que se encuentra en el mango.

Los trece modelos distintos de las pipetas FinnpiPETTE F2 permiten trabajar con volúmenes diferentes, abarcando un rango de 0,2 µl a 10 ml.

Nº de pedido	Rango volumétrico		Código de color		Finntip
4642010	0,2 µl	a	2 µl	rosa	Flex 10, 10, 20, 50
4642020	0,5 µl	a	5 µl	rosa	Flex 10, 10, 20, 50
4642030	1 µl	a	10 µl	rosa	Flex 10, 10, 20, 50
4642040	1 µl	a	10 µl	amarillo	Flex 200, 250 Univ., 200 Ext, 300, Flex 300
4642050	2 µl	a	20 µl	violeta	20, 50
4642060	2 µl	a	20 µl	amarillo	Flex 200, 250 Univ., 200 Ext, 300, Flex 300
4642120	5 µl	a	50 µl	violeta	50
4642130	5 µl	a	50 µl	amarillo	Flex 200, 250 Univ., 200 Ext, 300, Flex 300
4642070	10 µl	a	100 µl	amarillo	Flex 200, 250 Univ., 200 Ext, 300, Flex 300
4642080	20 µl	a	200 µl	amarillo	Flex 200, 250 Univ., 200 Ext, 300, Flex 300
4642090	100 µl	a	1000 µl	azul	Flex 1000, 1000, 1000 Ext
4642100	0,5 ml	a	5 ml	green	5 ml
4642110	1 ml	a	10 ml	red	10 ml, Flex 10 ml Ext

Los quince modelos distintos de las pipetas FinnpiPETTE F2 de volumen fijo permiten trabajar con volúmenes diferentes, abarcando un rango de 1 µl a 10 ml.

Nº de pedido	Rango volumétrico		Código de color		Finntip
4652000	1 µl		rosa		Flex 10, 10, 20, 50
4652010	5 µl		rosa		Flex 10, 10, 20, 50
4652020	10 µl		amarillo		Flex 200, 250 Univ., 200 Ext, 300, Flex 300
4652130	20 µl		amarillo		Flex 200, 250 Univ., 200 Ext, 300, Flex 300
4652030	25 µl		amarillo		Flex 200, 250 Univ., 200 Ext, 300, Flex 300
4652040	50 µl		amarillo		Flex 200, 250 Univ., 200 Ext, 300, Flex 300
4652050	100 µl		amarillo		Flex 200, 250 Univ., 200 Ext, 300, Flex 300
4652140	200 µl		amarillo		Flex 200, 250 Univ., 200 Ext, 300, Flex 300
4652060	250 µl		azul		Flex 1000, 1000, 1000 Ext
4652070	500 µl		azul		Flex 1000, 1000, 1000 Ext
4652080	1000 µl		azul		Flex 1000, 1000, 1000 Ext
4652090	2000 µl		verde		5 ml
4652100	3000 µl		verde		5 ml
4652110	5000 µl		verde		5 ml
4652120	10000 µl		rojo		10 ml, Flex 10 ml Ext

Los diez modelos de pipetas FinnpiPETTE F2 Multicanal permiten trabajar con volúmenes diferentes, abarcando un rango de 1 µl a 300 µl.

Nº de pedido	Canal	Rango volumétrico		Código de color		Finntip
4662000	8	1 µl	a	10 µl	rosa	Flex 10, 10, 20, 50
4662010	8	5 µl	a	50 µl	amarillo	Flex 200, 250 Univ., 200 Ext, 300, Flex 300
4662020	8	10 µl	a	100 µl	amarillo	Flex 200, 250 Univ., 200 Ext, 300, Flex 300
4662030	8	30 µl	a	300 µl	naranja	Flex 300, 300
4662040	12	1 µl	a	10 µl	rosa	Flex 10, 10, 20, 50
4662050	12	5 µl	a	50 µl	amarillo	Flex 200, 250 Univ., 200 Ext, 300, Flex 300
4662060	12	10 µl	a	100 µl	amarillo	Flex 200, 250 Univ., 200 Ext, 300, Flex 300
4662070	12	30 µl	a	300 µl	naranja	Flex 300, 300
4662080	16	1 µl	a	10 µl	púrpura	Flex 10
4662090	16	5 µl	a	50 µl	turquoise	50

Pantalla digital

El volumen de dispensación seleccionado aparece claramente indicado en la pantalla digital de gran tamaño que se encuentra en el mango.



Materiales

La Finnpiquette F2 está fabricada con materiales mecánicamente duraderos y químicamente resistentes.

Descripción de las puntas

Se recomienda el uso de puntas Finntip con las pipetas Finnpiquette F2.

Las puntas Finntip se fabrican con polipropileno virgen de color natural que, por regla general, se considera el único material sin contaminar apropiado para las puntas. Asimismo, las Finntip se pueden introducir en el autoclave (121 °C).

Paquete

La pipeta Finnpiquette F2 se suministra en un paquete de diseño especial que incluye los siguientes elementos:

1. Pipeta Finnpiquette
2. Herramienta de servicio
3. Herramienta de servicio multicanal
4. Punta Finntip de muestra
5. Tubo de grasa (**Nº de pedido 2206040**)
6. Manual de instrucciones
7. Certificado de calibración / certificado de garantía
8. Colgador para estante (**Nº de pedido 2206040**)

Seguridad

Las precauciones aparecen marcadas con el símbolo .

Uso previsto

El uso previsto de este dispositivo consiste en transferir líquidos en el rango volumétrico de 0,2 µl a 10 ml.

La pipeta Finnpiquette F2 y la punta Finntips han sido diseñadas como componente de un sistema de análisis para un usuario final, que es responsable de la validación del sistema para garantizar unos resultados fiables y seguros.



Daños para la salud

- ▶ Siga los procedimientos generales de prevención de peligros y las instrucciones de seguridad; por ejemplo, lleve prendas protectoras, protección ocular y guantes.
- ▶ Para el uso y la eliminación de residuos de material peligroso (p. ej., radiactivo y potencialmente infeccioso), siga las instrucciones de seguridad y las prácticas generales de laboratorio.
- ▶ Ni la pipeta ni las puntas están destinadas al uso in vivo. No utilice la pipeta para el pipeteo de líquidos que se vayan a inyectar en un cuerpo humano.
- ▶ No expulse la punta hacia ninguna persona.

La Finnpiquette F2 debe ser utilizada por personal capacitado con las habilidades de laboratorio necesarias. Es necesario leer las instrucciones de uso antes y durante el uso del dispositivo (pipeta y punta). La pipeta F2 puede usarse entre los +4 y los +40 °C.



Resultados de dispensación incorrectos

- ▶ El rendimiento puede variar a causa de factores como:
 - a. Método de pipeteado (se recomienda la técnica directa de pipeteo)
 - b. Temperatura (aire, líquido, recipiente, pipeta y punta)
 - c. Presión
 - d. Humedad

- e. Operador, p. ej., movimiento del pulgar, ángulo de pipeteado
- f. Densidad del líquido, viscosidad y presión de vapor
- g. Tipo de punta

- ▶ Si el rendimiento del pipeteo es crítico para el resultado de una aplicación específica, el resultado debe garantizarse con una prueba alternativa o, si no es posible, mediante duplicación de la prueba. La posibilidad de una dispensación de volumen incorrecta durante el pipeteo no puede mitigarse totalmente.
- ▶ Para evitar una dispensación inexacta y/o fugas, verifique que la punta esté encajada correctamente en la pipeta.
- ▶ Al girar el botón de ajuste de volumen, no sobrepase el rango volumétrico de la pipeta. De lo contrario, la pipeta podría sufrir daños o el rendimiento de pipeteo podría verse afectado.
- ▶ El rendimiento de pipeteo no puede garantizarse si la punta se reutiliza.
- ▶ Seleccione sólo puntas y pipetas con una codificación de colores coincidente.

Eliminación de los materiales

Siga los procedimientos de su laboratorio y específicos de su país para la eliminación de residuos con riesgo biológico o radioactivo. Consulte las normas locales para la eliminación de material infeccioso.

Advertencia Las puntas pueden ser potencialmente infecciosas. Deseche todas las puntas desechables como residuos con riesgo biológico.

Advertencia Descontamine la pipeta antes de la eliminación.

Para obtener instrucciones para la eliminación de residuos, póngase en contacto con las autoridades locales de medio ambiente. Para más información, póngase en contacto con nosotros en info.pipettes@thermofisher.com.

En cuanto a los materiales de embalaje y empaquetado originales, utilice sus servicios de reciclaje habituales.

Para más información, póngase en contacto con su representante local de Thermo Fisher Scientific.

Uso de la pipeta

Selección del volumen de dispensación

1. Determine el volumen de dispensación con el pulsador que se encuentra en la parte superior de la pipeta. Para aumentar el volumen de dispensación, gire el pulsador en el sentido contrario a las agujas del reloj. Para disminuirlo, gírelo en la dirección opuesta.
2. Asegúrese de que el volumen de dispensación es el deseado.
3. No ajuste volúmenes que estén fuera del rango volumétrico especificado para la pipeta.

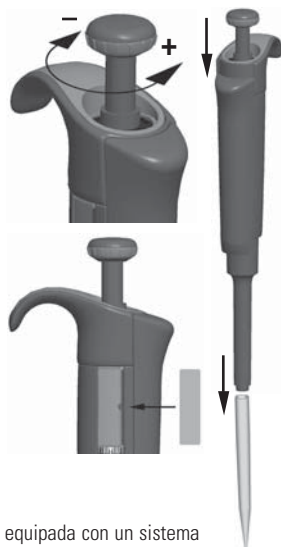
Si fuerza el pulsador excesivamente para superar dicho rango, puede atascar el mecanismo y, con el tiempo, estropear la pipeta.

Etiqueta de seguridad

Puede usar la etiqueta de seguridad para indicar la aplicación de la pipeta, sus iniciales, la fecha de calibración, etc. Retire la etiqueta anterior con una aguja afilada. Marque la nueva etiqueta con un lápiz y vuelva a introducirla en su posición.

Expulsión de la punta

Para evitar el riesgo de contaminación, cada pipeta viene equipada con un sistema de expulsión de puntas. Para soltar la punta, dirija la pipeta a un contenedor para residuos y presione el expulsor con el dedo pulgar.



Técnicas de pipeteo

Presione y suelte el pulsador lentamente y de forma continua, especialmente cuando trabaje con líquidos muy viscosos. Nunca suelte el pulsador de forma brusca.

Asegúrese de que la punta se encuentra firmemente ajustada en el cono portapuntas.

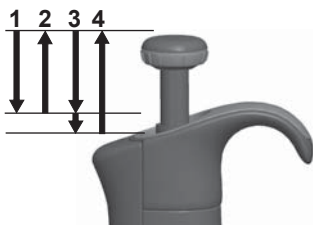
Compruebe que no haya partículas extrañas en la punta.

Antes de empezar, llene la punta con la sustancia que va a pipetear y vacíela, repitiendo esta acción 2 ó 3 veces. Sostenga la pipeta en posición vertical mientras se aspira el líquido. El agarre de la pipeta debe apoyarse en el dedo índice. Asegúrese de que las puntas, la pipeta y la solución se encuentran a la misma temperatura.

Técnica directa

Llene un frasco de reactivos limpio con el líquido con el que va a trabajar.

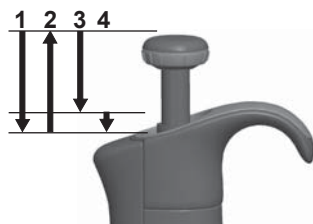
1. Presione el pulsador hasta la primera posición.
2. Sumerja la punta aproximadamente 1 cm bajo la superficie del líquido y suelte el pulsador lentamente. Saque la punta, retirando el exceso de líquido del borde del frasco de la dispensación para eliminar el exceso de líquido.
3. Descargue el líquido presionando ligeramente el pulsador hasta la primera posición. Transcurrido aproximadamente un segundo, vuelva a presionar el pulsador hasta la segunda posición para vaciar la punta. Esta acción vaciará la punta.
4. Suelte el pulsador para que vuelva a la posición inicial. Si es necesario, cambie la punta y siga pipeteando.



Técnica inversa

Se recomienda esta técnica para el pipeteo de líquidos muy viscosos o con tendencia a formar espuma fácilmente. Asimismo, resulta apropiada para el trabajo con volúmenes reducidos. Llene un frasco de reactivos limpio con el líquido con el que va a trabajar.

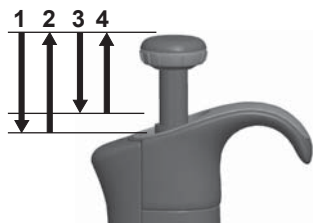
1. Presione el pulsador hasta la segunda posición.
2. Sumerja la punta aproximadamente 1 cm bajo la superficie del líquido y suelte el pulsador lentamente. Mantenga el pulsador en este punto. Saque la punta, retirando el exceso de líquido del borde del frasco de la dispensación para eliminar el exceso de líquido.
3. Descargue el volumen ajustado presionando ligeramente el pulsador hasta la primera posición. Mantenga el pulsador en este punto. El líquido que quede en la punta no debe incluirse en la dispensación.
4. Deseche el líquido restante junto con la punta, o bien, devuélvalo al frasco.



Técnica repetitiva

La técnica repetitiva ofrece un modo rápido y sencillo para la dispensación repetida del mismo volumen. Llene un frasco de reactivos limpio con el líquido con el que va a trabajar.

1. Presione el pulsador completamente hasta la segunda posición.
2. Sumerja la punta aproximadamente 1 cm bajo la superficie del líquido y suelte el pulsador lentamente. Mantenga el pulsador en este punto. Saque la punta, retirando el exceso de líquido del borde del frasco de la dispensación para eliminar el exceso de líquido.
3. Descargue el volumen ajustado presionando ligeramente el pulsador hasta la primera posición. Mantenga el pulsador en este punto. El líquido que quede en la punta no debe incluirse en la dispensación.
4. Repita los pasos 3 y 4 para seguir pipeteando.



Pipeteo de muestras heterogéneas

(desproteínización en una determinación de glucosa en sangre, por ejemplo)

Siga los pasos 1 y 2 de la técnica directa para llenar la punta de sangre.

Limpie cuidadosamente la punta con un pañuelito limpio y seco.

1. Sumerja la punta en el reactivo y presione el pulsador hasta la primera posición. Compruebe que la punta se encuentra debajo de la superficie.
2. Suelte el pulsador lentamente para que vuelva a la posición inicial. Esto llenará la punta. Mantenga la punta sumergida dentro de la solución.
3. Presione el pulsador hasta la primera posición y súeltelo lentamente. Repita este proceso hasta que la pared interior de la punta quede limpia.
4. Por último, presione el pulsador hasta la segunda posición para vaciar la punta completamente.



Calibración y ajuste

Todas las pipetas Finnpiquette se distribuyen ajustadas y calibradas de fábrica para trabajar dentro de los volúmenes especificados con agua destilada o desionizada y con la técnica directa. Recuerde que el uso de otras técnicas de pipeteo puede afectar al resultado de la calibración. Las pipetas se diseñan para permitir el reajuste para otras técnicas de pipeteo u otros líquidos con temperaturas y viscosidades diferentes.

Requisitos de los dispositivos y condiciones del ensayo

Debe utilizar una balanza de laboratorio. Determine el valor de sensibilidad de la escala de la balanza en función del volumen de ensayo seleccionado de la pipeta:

Rango volumétrico Sensibilidad

Menos de 10 μl	0,001 mg
10-100 μl	0,01 mg
Más de 100 μl	0,1 mg

Líquido de ensayo: agua, destilada o desionizada, agua de "grado 3" conforme a la norma ISO 3696. Los ensayos se deben realizar en una habitación sin corrientes de aire, manteniendo el agua, la pipeta y el aire a una temperatura constante ($\pm 0,5$ °C) entre los 15 °C y 30 °C. La humedad relativa debe ser superior al 50%. La humedad del aire, especialmente cuando se trabaja con volúmenes inferiores a 50 μl , debe ser lo más elevada posible para reducir el efecto de la pérdida por evaporación. Se recomienda el uso de accesorios especiales, tales como el concentrador de evaporación.

Procedimiento de comprobación de la calibración

Se debe comprobar el volumen máximo (volumen nominal) y el volumen mínimo de la pipeta. Humedezca de 3 a 5 veces una nueva punta antes de usarla y realice una serie de diez repeticiones a cada volumen. Las pipetas se ajustan siempre para dispensar (Ex) el volumen seleccionado. Se recomienda utilizar la técnica directa de pipeteo. El número máximo permitido de errores se ha diseñado para la técnica directa. Se recomienda calibrar todos los canales en las pipetas multicanal, otro método también viable es calibrar sólo los canales externos. El ajuste se hace usando uno de los canales centrales. Se recomienda usar los límites de calibración de la norma ISO8655 que podemos observar en las siguientes tablas o usar especificaciones definidas por el usuario.

Procedimiento:

1. Realice 10 repeticiones al volumen mínimo.
2. Realice 10 repeticiones al volumen máximo.
3. Calcule la inexactitud (A) y la imprecisión (cv) de cada serie.
4. Compare los resultados con los límites.

Si los resultados calculados están dentro de los límites seleccionados, el ajuste de la pipeta es correcto.

Especificaciones de calibración según norma ISO 8655

La especificación para la Thermo Scientific Finnpiptette F2 se corresponde con la norma ISO 8655.

Finnpiptette F2 monocanal de volumen variable

Rango	Volumen μl	Inexactitud		Imprecisión	
		μl	%	s.d. μl	cv%
0,2-2 μl	2	± 0.080	± 4	0.040	2.0
	0.2	± 0.080	± 40	0.040	20.0
0,5-5 μl	5	± 0.125	± 2.5	0.075	1.5
	0.5	± 0.125	± 25	0.075	15
1-10 μl	10	± 0.120	± 1.2	0.080	0.8
	1	± 0.120	± 12	0.080	8.0
2-20 μl	20	± 0.20	± 1.0	0.10	0.5
	2	± 0.20	± 10.0	0.10	5.0
5-50 μl	50	± 0.50	± 1.0	0.20	0.4
	5	± 0.50	± 10	0.20	4.0
10-100 μl	100	± 0.80	± 0.8	0.30	0.3
	10	± 0.80	± 8.0	0.30	3.0
20-200 μl	200	± 1.60	± 0.8	0.60	0.3
	20	± 1.60	± 8.0	0.60	3.0
100-1000 μl	1000	± 8.0	± 0.8	3.0	0.3
	100	± 8.0	± 8.0	3.0	3.0
0,5-5 ml	5000	± 40.0	± 0.8	15.0	0.3
	500	± 40.0	± 8.0	15.0	3.0
1-10 ml	10000	± 60.0	± 0.6	30.0	0.3
	1000	± 60.0	± 6.0	30.0	3.0

Finnpiptette F2 monocanal de volumen fijo

Fixed Volume μl	Inexactitud		Imprecisión	
	μl	%	s.d. μl	cv%
1	± 0.050	± 5.00	0.050	5.00
5	± 0.125	± 2.50	0.075	1.50
10	± 0.120	± 1.20	0.080	0.80
20	± 0.20	± 1.00	0.10	0.50
25	± 0.50	± 2.00	0.20	0.80
50	± 0.50	± 1.00	0.20	0.40
100	± 0.80	± 0.80	0.30	0.30
200	± 1.60	± 0.80	0.60	0.30
250	± 4.00	± 1.60	1.50	0.60
500	± 4.00	± 0.80	1.50	0.30
1000	± 8.00	± 0.80	3.00	0.30
2000	± 16.0	± 0.80	6.00	0.30
3000	± 40.0	± 1.33	15.00	0.50
5000	± 40.0	± 0.80	15.00	0.30
10000	± 60.0	± 0.60	30.00	0.30

Finnpiptette F2 multicanal de volumen variable

Rango	Canal	Volumen μl	Inexactitud		Imprecisión	
			μl	%	s.d. μl	cv%
1-10 μl	8, 12, 16	10	± 0.24	± 2.4	0.16	1.6
		1	± 0.24	± 24	0.16	16
5-50 μl	8, 12, 16	50	± 1.0	± 2.0	0.4	0.8
		5	± 1.0	± 20	0.4	8.0
10-100 μl	8, 12	100	± 0.80	± 0.8	0.30	0.3
		10	± 0.80	± 8.0	0.30	3.0
30-300 μl	8, 12	300	± 8.0	± 2.7	3.0	1.0
		30	± 8.0	± 26.7	3.0	10.0

Límites de especificación del fabricante

Finnpipette F2 monocanal de volumen variable

Rango	Volumen μl	Inexactitud		Imprecisión		Punta de calibración en fábrica
		μl	%	s.d. μl	cv%	
0.2-2 μl	2	$\pm 0,050$	$\pm 2,50$	0,040	2,00	Flex 10
	0,2	$\pm 0,024$	$\pm 12,00$	0,020	10,00	
0.5-5 μl	5	$\pm 0,075$	$\pm 1,50$	0,050	1,00	Flex 10
	0,5	$\pm 0,030$	$\pm 6,00$	0,025	5,00	
1-10 μl , micro	10	$\pm 0,100$	$\pm 1,00$	0,050	0,50	Flex 10
	1	$\pm 0,025$	$\pm 2,50$	0,020	2,00	
1-10 μl	10	$\pm 0,100$	$\pm 1,00$	0,080	0,80	Flex 200
	1	$\pm 0,035$	$\pm 3,50$	0,030	3,00	
2-20 μl , micro	20	$\pm 0,20$	$\pm 1,00$	0,08	0,40	50
	2	$\pm 0,06$	$\pm 3,00$	0,05	2,50	
2-20 μl	20	$\pm 0,20$	$\pm 1,00$	0,08	0,40	Flex 200
	2	$\pm 0,06$	$\pm 3,00$	0,05	2,50	
5-50 μl , micro	50	$\pm 0,30$	$\pm 0,60$	0,15	0,30	50
	5	$\pm 0,15$	$\pm 3,00$	0,125	2,50	
5-50 μl	50	$\pm 0,30$	$\pm 0,60$	0,15	0,30	Flex 200
	5	$\pm 0,15$	$\pm 3,00$	0,125	2,50	
10-100 μl	100	$\pm 0,80$	$\pm 0,80$	0,20	0,20	Flex 200
	10	$\pm 0,30$	$\pm 3,00$	0,10	1,00	
20-200 μl	200	$\pm 1,2$	$\pm 0,60$	0,4	0,20	Flex 200
	20	$\pm 0,36$	$\pm 1,80$	0,14	0,70	
100-1000 μl	1000	$\pm 6,0$	$\pm 0,60$	2,0	0,20	Flex 1000
	100	$\pm 1,0$	$\pm 1,00$	0,6	0,60	
0,5-5 ml	5000	$\pm 25,0$	$\pm 0,50$	10,0	0,20	5 ml
	500	$\pm 10,0$	$\pm 2,00$	4,0	0,80	
1-10 ml	10000	$\pm 50,0$	$\pm 0,50$	20,0	0,20	10 ml
	1000	$\pm 20,0$	$\pm 2,00$	8,0	0,80	

Finnpipette F2 monocanal de volumen fijo

Fixed Volume μl	Inexactitud		Imprecisión		Punta de calibración en fábrica
	μl	%	s.d. μl	cv%	
1	$\pm 0,040$	$\pm 4,00$	0,040	4,00	Flex 10
5	$\pm 0,070$	$\pm 1,40$	0,070	1,40	Flex 10
10	$\pm 0,090$	$\pm 0,90$	0,080	0,80	Flex 200
20	$\pm 0,14$	$\pm 0,70$	0,10	0,50	Flex 200
25	$\pm 0,15$	$\pm 0,60$	0,125	0,50	Flex 200
50	$\pm 0,30$	$\pm 0,60$	0,20	0,40	Flex 200
100	$\pm 0,40$	$\pm 0,40$	0,30	0,30	Flex 200
200	$\pm 0,80$	$\pm 0,40$	0,60	0,30	Flex 200
250	$\pm 1,0$	$\pm 0,40$	0,75	0,30	Flex 1000
500	$\pm 1,5$	$\pm 0,30$	1,5	0,30	Flex 1000
1000	$\pm 3,0$	$\pm 0,30$	3,0	0,30	Flex 1000
2000	$\pm 6,0$	$\pm 0,30$	4,0	0,20	5 ml
3000	$\pm 9,0$	$\pm 0,30$	6,0	0,20	5 ml
4000	$\pm 12,0$	$\pm 0,30$	8,0	0,20	5 ml
5000	$\pm 15,0$	$\pm 0,30$	10,0	0,20	5 ml
10000	$\pm 30,0$	$\pm 0,30$	20,0	0,20	10 ml

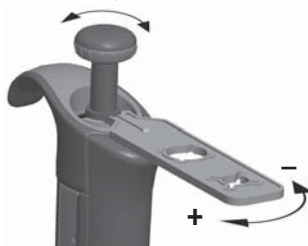
Finnpipette F2 multicanal de volumen variable

Range	Canal	Volumen μl	Inexactitud μl	%	Imprecisión s.d. μl	cv%	Punta de calibración en fábrica
1.0-10 μl	8, 12, 16	10	$\pm 0,240$	$\pm 2,40$	0,160	1,60	Flex 10
		1	$\pm 0,120$	$\pm 12,00$	0,080	8,00	
5-50 μl	8, 12, 16	50	$\pm 0,75$	$\pm 1,50$	0,35	0,70	Flex 200
		5	$\pm 0,25$	$\pm 5,00$	0,10	2,00	
10-100 μl	8, 12	100	$\pm 1,30$	$\pm 1,30$	0,50	0,50	Flex 200
		10	$\pm 0,50$	$\pm 5,00$	0,20	2,00	
30-300 μl	8, 12	300	$\pm 3,0$	$\pm 1,00$	0,9	0,30	Flex 300
		30	$\pm 1,5$	$\pm 5,00$	0,6	2,00	

Ajuste

El ajuste se realiza sólo para un volumen. El volumen de ajuste recomendado es el volumen mínimo o el 10% del volumen máximo. Las pipetas multicanales se ajustan usando uno de los canales centrales.

1. Inserte la herramienta de servicio en las aberturas de la tuerca de calibración que se encuentra en la parte superior del mango.
2. Gire la herramienta de servicio en el sentido de las agujas del reloj para aumentar el volumen o en la dirección opuesta para disminuirlo.
3. Una vez ajustado el volumen, compruebe la calibración siguiendo las instrucciones descritas anteriormente.



Fórmulas para el cálculo de los resultados

Conversión de masa a volumen

$$V = (w + e) \times Z$$

V = volumen (μl)
 w = peso (mg.)
 e = pérdida por evaporación (mg.)
 Z = factor de conversión para la conversión $\mu\text{l}/\text{mg}$

La pérdida por evaporación puede ser un factor relevante cuando se trabaja con volúmenes reducidos. Para determinar la pérdida de masa, llene de agua el recipiente a pesar, observe la lectura obtenida y ponga en marcha un cronómetro. Compruebe cómo disminuyen los valores al cabo de 30 segundos (p. ej., 6 mg = 0,2 mg/s).

Compare esta lectura con el tiempo de pipeteo transcurrido entre la acción y la lectura. Normalmente, el tiempo de pipeteo es de 10 segundos y la pérdida de masa de 2 mg (10 s x 0,2 mg/s) en este ejemplo. Si cubre el recipiente con un concentrador de evaporación o una tapa, no es preciso por lo general que corrija la evaporación.

El factor Z se utiliza para convertir el peso del agua en volumen a una temperatura y presión de ensayo. Un valor típico es 1,0032 $\mu\text{l}/\text{mg}$ a 22 °C y 95 kPa. Consulte la tabla de conversiones de la página 63.

Inexactitud (error sistemático)

La inexactitud es la diferencia entre el volumen dispensado y el volumen seleccionado de una pipeta.

$$A = V - V_0$$

A = Inexactitud
 V = Volumen medio
 V_0 = Volumen nominal

La inexactitud se puede expresar como un valor relativo: $A\% = 100\% \times A / V_0$

Imprecisión (error aleatorio)

La imprecisión hace referencia a la repetibilidad del pipeteo. Se expresa en forma de desviación estándar (s) o como coeficiente de variación (cv)

$$S = \sqrt{\frac{\sum_{i=1}^n (V_i - \bar{V})^2}{n-1}}$$

s = Desviación estándar
 \bar{v} = Volumen medio
 n = Número de mediciones

La desviación estándar se puede expresar como un valor relativo (CV)

$$CV = 100\% \times S / \bar{V}$$

Mantenimiento

Guarde la pipeta Finnpiquette F2 cuando no se utilice y asegúrese de que se encuentra en posición vertical. Se recomienda para este propósito el uso del soporte especial para pipetas Finnpiquette. La referencia se refiere a las vistas de detalle del principio de la página 64.

Mantenimiento a corto plazo

Compruebe al comienzo de cada día que no haya polvo ni suciedad en las superficies externas de la pipeta.

Preste especial atención al cono portapuntas. Utilice exclusivamente etanol al 70% para limpiar la pipeta (no utilice otro tipo de disolvente).

Mantenimiento a largo plazo, pipetas monocanal

Si la pipeta se utiliza diariamente, debe verificarla cada tres meses. El servicio de mantenimiento empieza por desmontar la pipeta.

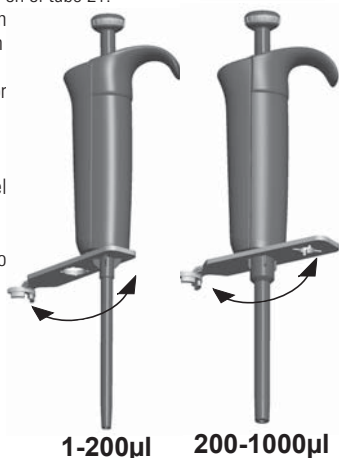
Pipetas de 1-1.000 µl

1. Pulse el expulsor.
2. Gire el expulsor 11 en el sentido contrario a las agujas del reloj y tire de él hacia fuera.
3. Gire hacia fuera el cono portapuntas en el sentido contrario a las agujas del reloj con ayuda de la herramienta de servicio.
4. Tire del émbolo y las demás piezas hacia fuera. Presione hacia fuera el émbolo con el resto del conjunto de émbolo. A continuación, invierta el cono portapuntas y golpee suavemente todas las piezas para retirarlas del cono portapuntas. Recuerde que debe conservar todas las piezas en orden sobre la mesa, para el montaje posterior.
5. Limpie el émbolo, el muelle del émbolo y las juntas tóricas con un paño seco sin hilos.
6. Compruebe que el cono portapuntas no contenga partículas extrañas.
7. Engrase las partes limpias con el lubricante que viene con la pipeta.
8. Vuelva a montar los componentes de la pipeta.



0,2-2 µl, 0,5-5 µl y 1-10 µl: Deslice primero el muelle 22, el soporte 23 para junta tórica y la junta tórica 24 en el tubo 21.

En el modelo para 0,2-2 µl, inserte el tubo 27 en el tubo 21. A continuación, deslice de nuevo en el émbolo el muelle 13, el soporte 16 para muelle y los tubos 17 y 18, la junta tórica mayor 19 y la junta tórica menor 20. Comprima el muelle con los dedos presionando el émbolo y el soporte 16 para muelle uno contra otro y deslice el tubo 21 con el resto de las partes del émbolo. Mantenga comprimido el muelle y deslice cuidadosamente todo el conjunto hacia el interior del cono portapuntas, liberando a continuación el muelle.



2-20 µl y 5-50 µl: Deslice el muelle 13, el soporte 16 para muelle y los tubos 17 y 18, la junta tórica mayor 19 y la junta tórica menor 20 de nuevo en el émbolo. Comprima el muelle con los dedos presionando el émbolo y el soporte 16 para muelle uno contra otro y deslice la junta tórica mayor 19, la junta tórica menor 20, el soporte 21 para muelle y el muelle 22 (con el diámetro menos apoyado contra el soporte 21 para muelle) en el émbolo. Mantenga comprimido el muelle y deslice cuidadosamente todo el conjunto hacia el interior del cono portapuntas, liberando a continuación el muelle.

10-100 µl y 20-200 µl: Deslice el muelle 13, el soporte 16 para muelle y la junta tórica 17 de nuevo en el émbolo. Deslice todo el conjunto hacia el interior del cono portapuntas.

100-1.000 µl: Coloque la junta tórica 17 y el anillo de soporte 16 en el cono portapuntas. Deslice el muelle 13 en el émbolo y deslice todo el conjunto en el cono portapuntas.

- Todas:** Coloque el muelle 15 y el soporte 14 en la parte superior del cono portapuntas 11 e inserte cuidadosamente el conjunto de cono portapuntas en el mango. Fije el cono portapuntas apretándolo primero a mano efectuando un giro hacia la derecha y luego realice el ajuste definitivo con la herramienta de servicio.

- Vuelva a montar el expulsor.

Pipetas de 0,5-5 ml y 1-10 ml

- Pulse el expulsor.
- Gire el expulsor 10 en el sentido contrario a las agujas del reloj para abrirlo.
- Desmonte la parte inferior del expulsor 14 (ajuste a presión).
- Gire el cilindro 13 en el sentido contrario a las agujas del reloj y tire del conjunto de cono portapuntas hacia fuera.
- Retire el cilindro 13 presionando los ajustes a presión del cilindro.
- Limpie y reengrase la junta tórica 12 y el cilindro 13.
- Monte las piezas en el orden opuesto al del desmontaje.



Mantenimiento a largo plazo, pipetas multicanal

Si la pipeta se utiliza diariamente, debe verificarla y lubricarla cada tres meses.

- Coloque el cabezal nº 1 de la herramienta de servicio entre el anillo 15 y el expulsor 23. Presione la herramienta hasta que las piezas se separen con un chasquido.
- Compruebe que la palanca del expulsor esté en posición vertical y tire hacia abajo de la parte de expulsor de puntas del módulo. Coloque el cabezal nº 2 de la herramienta de servicio en el orificio del tubo adaptador 46.
- Abra levemente el extremo superior del expulsor de puntas y retire el expulsor de puntas.
- Desatornille y retire el módulo del mango.
- Tire del muelle de módulo 19 y del clip 22 hacia fuera.
- Presione el muelle 13 y retire las piezas de bloqueo 12 de la ranura. Retire el muelle 13.
- Retire las garras de bloqueo 44 y 45 y tire del tubo adaptador y del tubo 43 hacia fuera.
- Utilice un destornillador para retirar los cuatro tornillos de la cubierta del módulo y levante la cubierta para separarla.
- Retire la barra de los émbolos y limpie los émbolos y los conos portapuntas con un paño seco sin hilos.
- En caso necesario, mantenga los conos portapuntas:

16 canales y 1-10 µl: Los conos portapuntas no admiten mantenimiento. Sustitúyalos en caso necesario.

30-300 µl, 10-100 µl y 5-50 µl: Abra con cuidado el cono portapuntas liberando el anillo de la cubierta de su punto de unión por presión, con ayuda de un destornillador. Retire todas las piezas del cono portapuntas. Limpie todas las piezas. En caso necesario, sustituya las juntas tóricas. Tome un émbolo. Deslice el muelle 33, el anillo de cubierta 32 (orificio mayor), el muelle 34, el anillo de soporte 35, (junta tórica 37 mayor en 5-50 µl/ 10-100µl) y la junta tórica 36 (menor) sobre el émbolo. Engrase la junta tórica con el lubricante incluido con la pipeta. Deslice todas las piezas hacia el interior del cono portapuntas y cierre la unión por presión del anillo de la cubierta.

1–10 µl: Abra con cuidado el cono portapuntas liberando el anillo de la cubierta de su punto de unión por presión, con ayuda de un destornillador. Retire todas las piezas del cono portapuntas. Limpie todas las piezas. En caso necesario, sustituya las juntas tóricas. Tome un émbolo. Deslice el muelle 33, el anillo de la cubierta 32 (orificio mayor), el apoyo 35, la junta tórica 36 (mayor), la junta tórica 37 (menor) y el apoyo de junta tórica 38 sobre el émbolo. A continuación, deslice el muelle 39, el apoyo de muelle 40 (con los bordes afilados por delante) y la junta tórica 41 sobre el apoyo de junta tórica 38. Engrase las juntas tóricas con el lubricante incluido con la pipeta. Deslice todas las piezas hacia el interior del cono portapuntas y cierre la unión por presión del anillo de la cubierta.

11. Instale la barra de émbolos con los émbolos y conos portapuntas en la cubierta. Coloque los pernos de alineación hacia el mismo lado cuando monte el módulo. Cierre la cubierta con los cuatro tornillos. Inserte el clip 22.
12. Coloque el tubo adaptador y el tubo 43 en el cuello del módulo e inserte las garras de bloqueo 44 y 45. Inserte el muelle de módulo 19.
13. Inserte el muelle 13 y las piezas de bloqueo 12 en el vástago de émbolo 16.
14. Coloque el expulsor de puntas en el módulo. Presione el muelle 19 dentro de las piezas del expulsor y cierre el extremo superior del expulsor, manteniéndolo cerrado con los dedos.
15. Atomille el módulo al mango y apriete con el cabezal nº 2 de la herramienta de servicio.
16. Presione hacia abajo la palanca del expulsor de puntas hasta que escuche un "clic".

Instrucciones de mantenimiento para los conos portapuntas de las pipetas multicanal

Para garantizar un comportamiento uniforme de todos los canales de una pipeta multicanal, es necesario cambiar todos los conos portapuntas a la vez si resultase necesario sustituir cualquiera de ellos. No mezcle conos portapuntas de paquetes diferentes, dado que cada bolsa contiene un conjunto calibrado de conos portapuntas. Coloque los pernos de alineación hacia el mismo lado cuando monte el módulo. Consulte la imagen de la página 71.

Esterilización

Para esterilizar el cono portapuntas, introdúzcalo en el autoclave a 121°C. Para esterilizar el cono portapuntas, introdúzcalo en el autoclave a 121°C (252 °F) (2 ata) durante unos 20 minutos. Puede utilizar bolsas para la esterilización con vapor cuando sea necesario.

Retire y fije el módulo de nuevo a la pipeta tal y como se describe en la sección Mantenimiento. Una vez esterilizado en el autoclave, deje enfriar el módulo a temperatura ambiente durante dos horas como mínimo. Antes de pipetear, compruebe que el módulo está seco. Es aconsejable que compruebe la calibración cada vez que termine el ciclo de esterilización.

ADVERTENCIA

El mantenimiento de la pipeta FinnpiPETTE se puede llevar a cabo fácilmente en el laboratorio. Si desea que nosotros o su representante local realicemos este servicio, envíenos la pipeta, asegurándose de descontaminarla previamente.

Tenga en cuenta que las autoridades del servicio de correos de su país pueden prohibir o limitar el envío de materiales contaminados.

Solución de problemas

En la tabla que aparece a continuación se describen varios problemas que pueden surgir y la manera de solucionarlos.

Defecto	Posible causa	Solución
<i>Goteo</i>	<p><i>Colocación incorrecta de la punta.</i></p> <p><i>Presencia de partículas extrañas entre la punta y el cono portapuntas.</i></p> <p><i>Presencia de partículas extrañas entre el émbolo, la junta tórica y el cilindro.</i></p> <p><i>Cantidad insuficiente de lubricante en el cilindro y la junta tórica.</i></p> <p><i>La junta tórica está dañada.</i></p>	<p><i>Coloque la punta firmemente.</i></p> <p><i>Limpie los conos portapuntas y coloque puntas nuevas.</i></p> <p><i>Limpie y lubrique la junta tórica y el cilindro.</i></p> <p><i>Lubrique los componentes correctamente.</i></p> <p><i>Cambie la junta tórica.</i></p>
<i>Dispensación errónea</i>	<p><i>Manejo incorrecto.</i></p> <p><i>Colocación incorrecta de la punta.</i></p> <p><i>Cono portapuntas (monocanal) o módulo (multicanal) suelto</i></p>	<p><i>Siga las instrucciones atentamente.</i></p> <p><i>Coloque la punta firmemente.</i></p> <p><i>Apriete el cono portapuntas o el módulo con ayuda de la herramienta de servicio.</i></p>
<i>Émbolo atascado</i>	<p><i>No se ha utilizado la pipeta durante un largo periodo</i></p> <p><i>Se pipetea repetidamente disolvente altamente volátil para limpiar la grasa</i></p>	<p><i>Retire la punta si está colocada.</i></p> <p><i>Presione el émbolo hasta la segunda posición y suéltelo varias veces para volver a distribuir el lubricante.</i></p>
<i>Dispensación errónea con determinados líquidos</i>	<p><i>Cambios en la calibración: causados por un mal uso, por ejemplo, una calibración inapropiada.</i></p> <p><i>Puede que deba volver a calibrar la pipeta para trabajar con líquidos muy viscosos.</i></p>	<p><i>Vuelva a calibrar la pipeta siguiendo las instrucciones.</i></p> <p><i>Vuelva a calibrar la pipeta con los líquidos con los que va a trabajar.</i></p>

製品について

フィンピペットF2は、液体の量を正確に採取して分注するための連続可変式マイクロピペットです。フィンピペットF2は、空気置換（エアインターフェース）方式（空気界面）で動作し、取り外し可能な使い捨てチップを採用しています。分注容量は、ハンドルにあるディスプレイ（表示窓）に表示されます。フィンピペットF2のシングルチャンネルピペットには13種類のモデルがあり、0, 2 µl から10 mlまでの容量範囲に対応しています。

製品番号	容量範囲	カラーコード	フィンチップ
4642010	0, 2 µl to	2 µl ピンク	フレックス10、10、20、50
4642020	0, 5 µl to	5 µl ピンク	フレックス10、10、20、50
4642030	1 µl to	10 µl ピンク	フレックス10、10、20、50
4642040	1 µl to	10 µl イエロー	フレックス200, 250ユニバーサル, 200Ext, 300, フレックス300
4642050	2 µl to	20 µl パイオレット	20, 50
4642060	2 µl to	20 µl イエロー	フレックス200, 250ユニバーサル, 200Ext, 300, フレックス300
4642120	5 µl to	50 µl パイオレット	50
4642130	5 µl to	50 µl イエロー	フレックス200, 250ユニバーサル, 200Ext, 300, フレックス300
4642070	10 µl to	100 µl イエロー	フレックス200, 250ユニバーサル, 200Ext, 300, フレックス300
4642080	20 µl to	200 µl イエロー	フレックス200, 250ユニバーサル, 200Ext, 300, フレックス300
4642090	100 µl to	1000 µl ブルー	フレックス1000、1000、1000 Ext
4642100	0, 5 ml to	5 ml グリーン	5 ml
4642110	1 ml to	10 ml レッド	10 ml、フレックス10 ml Ext

フィンピペットF2の容量固定ピペットには15種類のモデルがあり、1 µl から10 ml までの容量範囲に対応しています。

製品番号	容量範囲	カラーコード	フィンチップ
4652000	1 µl	ピンク	フレックス10、10、20、50
4652010	5 µl	ピンク	フレックス10、10、20、50
4652020	10 µl	イエロー	フレックス200, 250ユニバーサル, 200Ext, 300, フレックス300
4652130	20 µl	イエロー	フレックス200, 250ユニバーサル, 200Ext, 300, フレックス300
4652030	25 µl	イエロー	フレックス200, 250ユニバーサル, 200Ext, 300, フレックス300
4652040	50 µl	イエロー	フレックス200, 250ユニバーサル, 200Ext, 300, フレックス300
4652050	100 µl	イエロー	フレックス200, 250ユニバーサル, 200Ext, 300, フレックス300
4652140	200 µl	イエロー	フレックス200, 250ユニバーサル, 200Ext, 300, フレックス300
4652060	250 µl	ブルー	フレックス1000、1000、1000 Ext
4652070	500 µl	ブルー	フレックス1000、1000、1000 Ext
4652080	1000 µl	ブルー	フレックス1000、1000、1000 Ext
4652090	2000 µl	グリーン	5 ml
4652100	3000 µl	グリーン	5 ml
4652110	5000 µl	グリーン	5 ml
4652120	10000 µl	レッド	10 ml、フレックス10 ml Ext

フィンピペットF2マルチチャンネルには、次の10種類のモデルがあり、1µlから300 µl までの分注ができます。

製品番号	チャン ネル数	容量範囲	カラー コード	フィンチップ
4662000	8	1 µl to 10 µl	ピンク	フレックス10、10、20、50
4662010	8	5 µl to 50 µl	イエロー	フレックス200, 250ユニバーサル, 200Ext, 300, フレックス300
4662020	8	10 µl to 100 µl	イエロー	フレックス200, 250ユニバーサル, 200Ext, 300, フレックス300
4662030	8	30 µl to 300 µl	オレンジ	フレックス300、300
4662040	12	1 µl to 10 µl	ピンク	フレックス10、10、20、50
4662050	12	5 µl to 50 µl	イエロー	フレックス200, 250ユニバーサル, 200Ext, 300, フレックス300
4662060	12	10 µl to 100 µl	イエロー	フレックス200, 250ユニバーサル, 200Ext, 300, フレックス300
4662070	12	30 µl to 300 µl	オレンジ	フレックス300、300
4662080	16	1 µl to 10 µl	パープル	フレックス10
4662090	16	5 µl to 50 µl	トルコ石	50

ディスプレイ

設定した容量は、ハンドルにある大きなデジタルディスプレイ（表示窓）にはっきり表示されます。



材質

フィンピペットF2は、機械的耐久性と耐薬品性に優れた素材を採用しています。

チップ

フィンチップは、フィンピペットF2と組み合わせて使用することをお勧めします。フィンチップは、コンタミネーションがなく、チップに適した唯一の材質とされる無着色のポリプロピレン製です。また、フィンチップはオートクレーブ処理が可能です（121°）。

パッケージ

Finnpipette F2 は、専用パッケージに入れてお届けします。パッケージ内容は以下のとおりです：

1. Finnpipette F2
2. サービスツール
3. マルチチャンネルサービスツール
4. Finntip（サンプル）
5. チューブ入グリース（製品番号 2203130）
6. 取扱説明書
7. 検定証明書/保証書
8. シェルフハンガー（製品番号 2206040）
9. シール2枚

安全にお使いいただくために

注意事項はこのシンボルマークで表します。

使用目的

この製品の使用目的は、0.2 µlから10 mlまでの量の液体の移動です。Finnpipette F2 ピペットとFinntipsチップは、信頼性と確実性のある結果を得るためのシステムの検証に責任を有するエンドユーザー用に分析システムのコンポーネントとして設計されています。



健康被害

- ▶ 防護服、保護眼鏡、手袋の着用など、危険防止と安全の指示に関する一般手順に従ってください。
- ▶ 危険性（放射性および感染の可能性など）のある物質の使用と廃棄物処理については、安全に関する指示や一般の試験所基準に従ってください。
- ▶ ピペットとチップはin vivoでの使用を意図していません。ピペットは、ヒトの体内に注入する液体のピペットに使用しないでください。
- ▶ チップを他の人に向けて取り外さないでください。

Finnpipette F2 はラボにおいて必要なスキルを持ち、トレーニングを受けた方がご使用ください。製品（ピペットとチップ）の使用前および使用中についての注意を必ずお読みください。F2ピペットは+4° C~+40° Cで使用できます。



不正確な分注結果

- ▶ パフォーマンスは以下によって影響を受けることがあります。
 - a. ピペッティング方法（フォワード法をお勧めします）
 - b. 温度（空気、液体、容器、ピペット、チップ）
 - c. 気圧
 - d. 湿度
 - e. オペレータの個人差。例えば、親指の動き、ピペッティング角度
 - f. 液体濃度、粘性および蒸気圧
 - g. チップの種類

- ▶ ピペティングパフォーマンスが特定のアプリケーションの結果に重要な影響を及ぼす場合、結果を別な試験で検証するか、それができない場合はデブリケートをとって確認する必要があります。ピペティング中の分注容量が正確でない可能性を、完全に排除することはできません。
- ▶ 不正確な分注またはリークを防ぐために、チップがピペットに適切に装着されていることを確認してください。
- ▶ 容量設定ボタンを回すときは、ピペットの容量レンジを超えないでください。ピペットが損傷したり、ピペティングパフォーマンスに影響を及ぼしたりすることがあります。
- ▶ チップを再使用した場合、ピペティングパフォーマンスは保証できません。
- ▶ カラーコードが一致するチップとピペットを選択してください。

材料の廃棄

バイオハザード廃棄物または放射性廃棄物の処分には、研究室と国で定められた手順に従ってください。伝染性物質の廃棄に関する現地の規定を参照してください。

警告 先端は伝染性である場合があります。すべての使用済みの先端はバイオハザード廃棄物として廃棄してください。

警告 廃棄前にピペットの汚染除去を行ってください。セクション を参照してください。

廃棄物処理に関しては、各自治体の環境局にお問い合わせください。詳しくは、弊社 (info.pipettes@thermofisher.com) までお問い合わせください。

元の梱包と梱包材に関しては、正規リサイクル業者を使ってください。

詳細情報は、最寄りのThermo Fisher Scientific代理店に連絡してください。

ピペットの操作

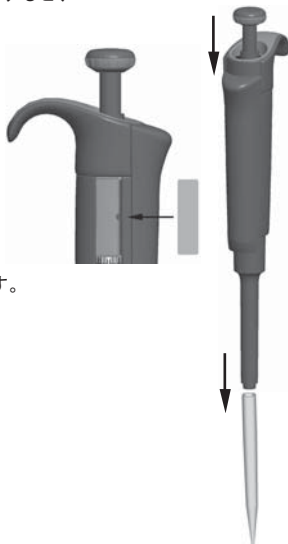
分注容量の設定

1. ピペット上端のプッシュボタンで分注容量をセットします。分注容量を増やすには、プッシュボタンを反時計回りに回します。分注容量を減らすには、プッシュボタンを時計回りに回します。
2. 設定したい分注容量がカチッと正しい位置にセットされ、ディスプレイに正しい容量が表示されていることを確認してください。
3. 分注容量はピペットの規格範囲内に設定してください。規格範囲外までプッシュボタンを無理に回そうとすると、故障や損傷の原因になることがあります。



安全ラベル

安全ラベルにはピペットの用途、ユーザーのイニシヤル、検定日などを記載できます。古いラベルは尖った針で取り除いてください。新しいラベルを鉛筆で記入し、元の位置にスライドさせます。



チップイジェクション

コンタミネーション防止のため、各ピペットにチップイジェクタシステムを装備しています。ピペットの先端を廃棄容器に向け、親指でチップイジェクタを押すと、チップに手を触れずに外すことができます。

ピペティングテクニック

プッシュボタンの操作は常にゆっくり行い、特に粘性の高い液体を扱うときは、ゆっくりと押してゆっくりと離します。プッシュボタンをはじくような扱いは決してしないでください。

チップをチップコーンにしっかりと装着してください。

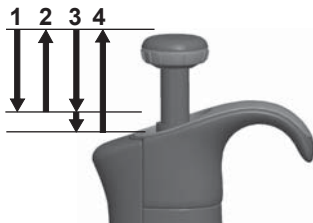
チップ内部に異物が入っていないことを確認してください。

分注を始める前に、分注する溶液を2、3回吸排します。溶液を吸引するときは、ピペットを垂直に保ち、人差し指の上にフィンガーレストがかかるように握ってください。チップ、ピペットおよび溶液が同じ温度であることを確認してください。

フォワード法

分注する溶液をきれいな容器（リザーバー）に入れます。

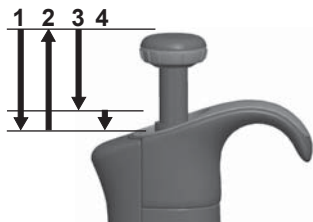
- 1 プッシュボタンを1段目まで押し下げます。
2. チップを容器に入った分注液の液面から約1cm下まで浸し、プッシュボタンをゆっくりと離します。チップを溶液から引き上げ、容器の縁に先端を軽く触れて外側についた余分な溶液を除きます。
3. プッシュボタンを1段目まで静かに押し下げ、溶液を分注します。約1秒待った後、続けてプッシュボタンを2段目まで押し下げます。チップから溶液が排出されます。
4. プッシュボタンを離してレディポジションに戻します。必要に応じてチップを交換し、ピペティングを続けます。



リバース法

リバース法は、粘性の高い液体や泡立ちやすい溶液の分注に適しています。また、微量分注にもお勧めします。分注する溶液をきれいな容器（リザーバー）に入れます。

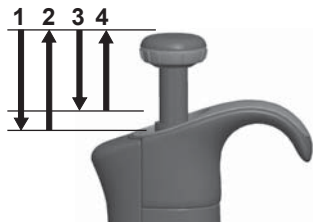
1. プッシュボタンを2段目まで押し下げます。
2. チップを容器に入った分注液の液面から約1cm下まで浸し、プッシュボタンをゆっくりと離します。チップが溶液で満たされます。チップを溶液から引き上げ、容器の縁に先端を軽く触れて外側についた余分な溶液を除きます。
3. プッシュボタンを1段目まで静かに押し下げ、設定した容量の溶液を分注します。プッシュボタンは、必ず1段目までで止めてください。チップの中に少量の溶液が残りますが、これは分注しません。
4. チップ内に残った溶液を、廃棄するか元の容器に戻します。



リピート法

リピート法は、同じ溶液を同じ容量だけ、繰り返すばやく分注するのに適しています。分注する溶液をきれいな容器（リザーバー）に入れます。

1. プッシュボタンを2段目まで押し下げます。
2. チップを容器に入った分注液の液面から約1cm下まで浸し、プッシュボタンをゆっくりと離します。チップが溶液で満たされます。チップを溶液から引き上げ、容器の縁に先端を軽く触れて外側についた余分な溶液を除きます。
3. プッシュボタンを1段目まで静かに押し下げ、設定した容量の溶液を分注します。プッシュボタンは、必ず1段目までで止めてください。チップの中に少量の溶液が残りますが、これは分注しません。
4. 手順3と4を繰り返して分注を続けます。

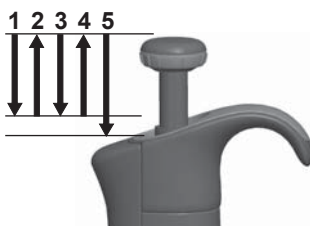


不均質サンプルの分注

(血糖値測定時の除蛋白操作など)

フォワード法の手順1と2に従って、チップに血液を吸引します。
乾いたきれいなティッシュペーパーでチップを慎重に拭いてください。

1. 分注済みの試薬の中にチップを浸し、プッシュボタンを1段目まで押し下げます。チップの先端が試薬の液面より十分下にあることを常に確認してください。
2. プッシュボタンをゆっくりと離してレディポジションに戻します。
チップの中に試薬が入ってきます。チップの先端を試薬に浸したままにしておきます。
3. プッシュボタンを1段目まで押し下げ、再びゆっくりと離します。チップの内壁がきれいになるまでこの手順を繰り返します。
4. 最後に、プッシュボタンを2段目まで押し下げてチップから試薬を完全に排出します。



キャリブレーション

フィンピペットはすべて、蒸留水またはイオン交換水を使用し、フォワード法により工場出荷時にキャリブレーションを行っています。これ以外の分注法では、校正結果が異なる場合があります。フィンピペットは、フォワード法以外で分注する場合や、温度や粘性の異なる液体を扱う場合、容易に検定および容量調整を行うことができます。

使用機器と検定条件

分析用天秤が必要です。天秤の感量は、ピペットの検定容量に合わせて選択してください。

検定容量	感量
10 μ l未満	0.001 mg
10-100 μ l	0.01 mg
100 μ l超	0.1 mg

検定液は、蒸留水またはイオン交換水 (ISO 3696 「grade 3」に準拠するもの) を使用します。通風がなく、ピペット、チップ、検定液、室温が15~30°Cで安定 ($\pm 0.5^\circ\text{C}$) した状態で検定を行ってください。相対湿度は、50%以上必要です。特に50 μ l以下の容量では、できるだけ湿度が高い方が蒸発の影響を防ぐことができます。エヴァポレーショントラップなどのアクセサリを使用することもお勧めします。

検定

ピペットは、最大容量 (通常容量) と最小容量で検定します。新しいチップを装着し、検定液の吸排を3~5回行った後、それぞれの容量について10回ずつピペッティングを行います。ピペットは、常に選択した容量を分注 (Ex) するように調整します。フォワード分注法の使用をお勧めします。最大許容誤差は、フォワード法に合わせて定められています。マルチチャンネルの場合は全てのチャンネルを検定することをお勧めしますが、両端チャンネルのみで検定することも可能です。調整は中央のどちらかのチャンネルにて行います。後述のISO8655キャリブレーション規格の表またはお客様がお決めになった規格で比較することをお勧めします。

手順 :

1. 最小容量で10回ピペッティングし、天秤でそれぞれの重量を測定します。
2. 最大容量で10回ピペッティングし、天秤でそれぞれの重量を測定します。
3. それぞれの容量について、誤差 (A) と不精密度 (cv) を計算します。
4. 結果を表1の規格と比較します。

計算結果が選択した容量の規格値の範囲内ならば、ピペットが正常に調整されています。

IS08655キャリブレーション規格

Thermo Scientific Finnpiptette F2の仕様はIS08655規格に準拠しています。

Finnpiptette F2容量可変シングルチャンネル

範囲	検定容量 μl	不正確度		不精密度	
		μl	%	s.d. μl	cv%
0,2-2 μl	2	± 0.080	± 4	0.040	2.0
	0.2	± 0.080	± 40	0.040	20.0
0,5-5 μl	5	± 0.125	± 2.5	0.075	1.5
	0.5	± 0.125	± 25	0.075	15
1-10 μl	10	± 0.120	± 1.2	0.080	0.8
	1	± 0.120	± 12	0.080	8.0
2-20 μl	20	± 0.20	± 1.0	0.10	0.5
	2	± 0.20	± 10.0	0.10	5.0
5-50 μl	50	± 0.50	± 1.0	0.20	0.4
	5	± 0.50	± 10.0	0.20	4.0
10-100 μl	100	± 0.80	± 0.8	0.30	0.3
	10	± 0.80	± 8.0	0.30	3.0
20-200 μl	200	± 1.60	± 0.8	0.60	0.3
	20	± 1.60	± 8.0	0.60	3.0
100-1000 μl	1000	± 8.0	± 0.8	3.0	0.3
	100	± 8.0	± 8.0	3.0	3.0
0,5-5 ml	5000	± 40.0	± 0.8	15.0	0.3
	500	± 40.0	± 8.0	15.0	3.0
1-10 ml	10000	± 60.0	± 0.6	30.0	0.3
	1000	± 60.0	± 6.0	30.0	3.0

Finnpiptette F2容量固定シングルチャンネル

固定容量 μl	不正確度		不精密度	
μl	μl	%	s.d. μl	cv%
1	± 0.050	± 5.00	0.050	5.00
5	± 0.125	± 2.50	0.075	1.50
10	± 0.120	± 1.20	0.080	0.80
20	± 0.20	± 1.00	0.10	0.50
25	± 0.50	± 2.00	0.20	0.80
50	± 0.50	± 1.00	0.20	0.40
100	± 0.80	± 0.80	0.30	0.30
200	± 1.60	± 0.80	0.60	0.30
250	± 4.00	± 1.60	1.50	0.60
500	± 4.00	± 0.80	1.50	0.30
1000	± 8.00	± 0.80	3.00	0.30
2000	± 16.0	± 0.80	6.00	0.30
3000	± 40.0	± 1.33	15.00	0.50
5000	± 40.0	± 0.80	15.00	0.30
10000	± 60.0	± 0.60	30.00	0.30

Finnpiptette F2容量可変マルチチャンネル

範囲	チャンネル数	検定容量 μl	不正確度		不精密度	
			μl	%	s.d. μl	cv%
1-10 μl	8, 12, 16	10	± 0.24	± 2.4	0.16	1.6
		1	± 0.24	± 24	0.16	16
5-50 μl	8, 12, 16	50	± 1.0	± 2.0	0.4	0.8
		5	± 1.0	± 20	0.4	8.0
10-100 μl	8, 12	100	± 0.80	± 0.8	0.30	0.3
		10	± 0.80	± 8.0	0.30	3.0
30-300 μl	8, 12	300	± 8.0	± 2.7	3.0	1.0
		30	± 8.0	± 26.7	3.0	10.0

メーカー規格

Finnpipette F2容量可変シングルチャンネル

範囲	検定容量 μl	不正確度		不精密度		工場キャリブレーションチップ
		μl	%	s.d. μl	cv%	
0.2-2 μl	2	$\pm 0,050$	$\pm 2,50$	0,040	2,00	Flex 10
	0,2	$\pm 0,024$	$\pm 12,00$	0,020	10,00	
0.5-5 μl	5	$\pm 0,075$	$\pm 1,50$	0,050	1,00	Flex 10
	0,5	$\pm 0,030$	$\pm 6,00$	0,025	5,00	
1-10 μl , micro	10	$\pm 0,100$	$\pm 1,00$	0,050	0,50	Flex 10
	1	$\pm 0,025$	$\pm 2,50$	0,020	2,00	
1-10 μl	10	$\pm 0,100$	$\pm 1,00$	0,080	0,80	Flex 200
	1	$\pm 0,035$	$\pm 3,50$	0,030	3,00	
2-20 μl , micro	20	$\pm 0,20$	$\pm 1,00$	0,08	0,40	50
	2	$\pm 0,06$	$\pm 3,00$	0,05	2,50	
2-20 μl	20	$\pm 0,20$	$\pm 1,00$	0,08	0,40	Flex 200
	2	$\pm 0,06$	$\pm 3,00$	0,05	2,50	
5-50 μl , micro	50	$\pm 0,30$	$\pm 0,60$	0,15	0,30	50
	5	$\pm 0,15$	$\pm 3,00$	0,125	2,50	
5-50 μl	50	$\pm 0,30$	$\pm 0,60$	0,15	0,30	Flex 200
	5	$\pm 0,15$	$\pm 3,00$	0,125	2,50	
10-100 μl	100	$\pm 0,80$	$\pm 0,80$	0,20	0,20	Flex 200
	10	$\pm 0,30$	$\pm 3,00$	0,10	1,00	
20-200 μl	200	$\pm 1,2$	$\pm 0,60$	0,4	0,20	Flex 200
	20	$\pm 0,36$	$\pm 1,80$	0,14	0,70	
100-1000 μl	1000	$\pm 6,0$	$\pm 0,60$	2,0	0,20	Flex 1000
	100	$\pm 1,0$	$\pm 1,00$	0,6	0,60	
0,5-5 ml	5000	$\pm 25,0$	$\pm 0,50$	10,0	0,20	5 ml
	500	$\pm 10,0$	$\pm 2,00$	4,0	0,80	
1-10 ml	10000	$\pm 50,0$	$\pm 0,50$	20,0	0,20	10 ml
	1000	$\pm 20,0$	$\pm 2,00$	8,0	0,80	

Finnpipette F2容量固定シングルチャンネル

固定容量 μl	不正確度		不精密度		工場キャリブレーションチップ
	μl	%	s.d. μl	cv%	
1	$\pm 0,040$	$\pm 4,00$	0,040	4,00	Flex 10
5	$\pm 0,070$	$\pm 1,40$	0,070	1,40	Flex 10
10	$\pm 0,090$	$\pm 0,90$	0,080	0,80	Flex 200
20	$\pm 0,14$	$\pm 0,70$	0,10	0,50	Flex 200
25	$\pm 0,15$	$\pm 0,60$	0,125	0,50	Flex 200
50	$\pm 0,30$	$\pm 0,60$	0,20	0,40	Flex 200
100	$\pm 0,40$	$\pm 0,40$	0,30	0,30	Flex 200
200	$\pm 0,80$	$\pm 0,40$	0,60	0,30	Flex 200
250	$\pm 1,0$	$\pm 0,40$	0,75	0,30	Flex 1000
500	$\pm 1,5$	$\pm 0,30$	1,5	0,30	Flex 1000
1000	$\pm 3,0$	$\pm 0,30$	3,0	0,30	Flex 1000
2000	$\pm 6,0$	$\pm 0,30$	4,0	0,20	5 ml
3000	$\pm 9,0$	$\pm 0,30$	6,0	0,20	5 ml
4000	$\pm 12,0$	$\pm 0,30$	8,0	0,20	5 ml
5000	$\pm 15,0$	$\pm 0,30$	10,0	0,20	5 ml
10000	$\pm 30,0$	$\pm 0,30$	20,0	0,20	10 ml

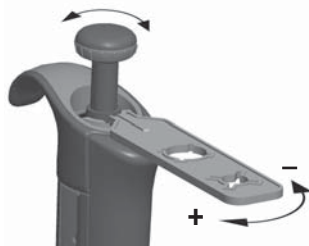
Finnpipette F2容量可変マルチチャンネル

範囲	チャンネル数	検定容量 μl	不正確度 μl	不正確度 %	不精密度 s.d. μl	不精密度 cv%	工場キャリブレーションチップ
1.0-10 μl	8, 12, 16	10	$\pm 0,240$	$\pm 2,40$	0,160	1,60	Flex 10
		1	$\pm 0,120$	$\pm 12,00$	0,080	8,00	
5-50 μl	8, 12, 16	50	$\pm 0,75$	$\pm 1,50$	0,35	0,70	Flex 200
		5	$\pm 0,25$	$\pm 5,00$	0,10	2,00	
10-100 μl	8, 12	100	$\pm 1,30$	$\pm 1,30$	0,50	0,50	Flex 200
		10	$\pm 0,50$	$\pm 5,00$	0,20	2,00	
30-300 μl	8, 12	300	$\pm 3,0$	$\pm 1,00$	0,9	0,30	Flex 300
		30	$\pm 1,5$	$\pm 5,00$	0,6	2,00	

調整

調整は1つの容積に対してのみ行います。推奨される調整容積は、最小容積または最大容積の10%です。マルチチャンネルの場合は中央のどちらかのチャンネルにて調整します。

1. サービスツールを、ハンドル上端にあるキャリブレーションナットの開口部に差し込みます。
2. サービスツールを時計回りに回すと分注容量が増し、反時計回りに回すと分注容量が減ります。
3. 調整後に、上の手順に従って再度検定を行い、規格に適合するかどうかを確認してください。



計算式

重量から容量への変換

$$V = (w + e) \times Z$$

V = 容量 (μl)
 w = 重量 (mg)
 e = 蒸発量 (mg)
 Z = 変換係数 ($\mu\text{l}/\text{mg}$ 変換)

蒸発量は、特に微量の検定で問題になることがあります。蒸発量を調べるには、検定液を測定容器に分注し、天秤で重量を読み取って記録し、直ちにストップウォッチを押します。読み取り値が30秒でどのくらい減少するか（例えば6 mg = 0.2 mg/秒）を調べます。読み取った重量を風袋消去から読み取りまでにかかるピペッティング時間と比較します。1回のピペッティング（風袋消去-分注-読み取り）に10秒かかるとすると、この例では、蒸発量は2 mg (10s x 0.2mg/秒) になります。エヴァポレーショントラップや容器のふたなどを使用する場合は、通常、蒸発に関する補正は必要ありません。変換係数Zは、検定時の温度および気圧での水の重量を容量に換算するための係数です。例えば、22°C、95kPaの場合は、1.0032 $\mu\text{l}/\text{mg}$ です。詳しくは、63ページの変換係数表を参照してください。

不正確度（システム誤差）

不正確度は、実際に分注された容量と設定した分注容量との差異です。

$$A = \bar{V} - V_0$$

A = 不正確度
 \bar{V} = 分注容量の平均値
 V_0 = 設定した分注容量

不正確度は、以下の相対値として表すことができます。 $A\% = 100\% \times A / V_0$

不精密度（ランダム誤差）

不精密度は、ピペッティングの再現性を表します。不精密度は、標準偏差 (s) または変動係数 (cv) で表します。

$$S = \sqrt{\frac{\sum_{i=1}^n (V_i - \bar{V})^2}{n-1}}$$

s = 標準偏差
 \bar{V} = 分注容量の平均値
 n = 測定回数

標準偏差は、以下の相対値 (CV) として表すことができます。

$$CV = 100\% \times S / \bar{V}$$

メンテナンス

Finnpipette F2 を使用していないときは、必ずまっすぐ立てた状態で保管してください。このためには Finnpiptette スタンドのご使用をお勧めします。

部品番号は、64ページから始まる分解図を参照するためのものです。

短期点検

毎日、ピペットを使い始める前に、外側の表面に埃や汚れが付着していないことを確認してください。

チップコーンには特に注意を払う必要があります。ピペットの洗浄には、70%エタノール以外の溶剤は使用しないでください。

長期点検、シングルチャンネルピペット

日常的にピペットをご使用の場合、3ヵ月ごとに点検を行う必要があります。点検作業はピペットの分解から開始します。

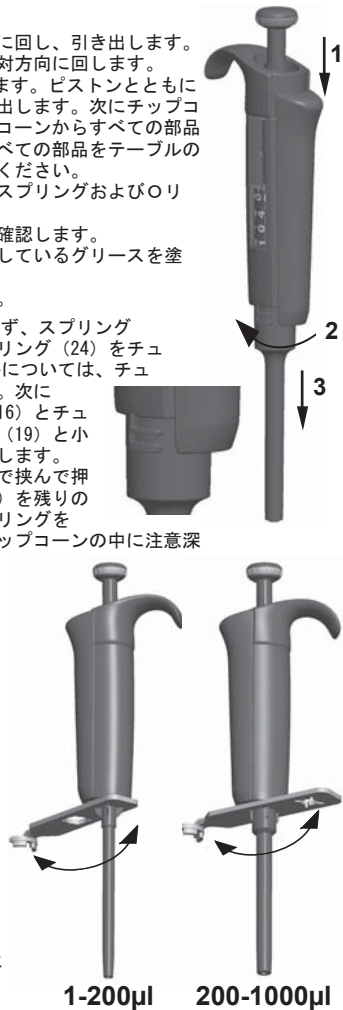
1-1000 μL のピペット

1. チップイジェクタを押します。
2. チップイジェクタ (11) を時計と反対方向に回し、引き出します。
3. サービスツールでチップコーンを時計と反対方向に回します。
4. ピストンおよびその他のパーツを引き出します。ピストンとともにピistonアセンブリの残りのパーツを押し出します。次にチップコーンを上下逆さまにし、軽く叩いてチップコーンからすべての部品を出します。組み立て直すためのすべての部品をテーブルの上にきちんと並べておくことを忘れないでください。
5. けばのない乾いた布でピiston、ピistonスプリングおよびオリングをきれいに拭きます。
6. チップコーンに異物が入っていないことを確認します。
7. きれいに拭いたパーツに、ピペットに付属しているグリースを塗ります。
8. ピペットのパーツを元通りに組み立てます。

0.2-2 μL 、0.5-5 μL および 1-10 μL : まず、スプリング (22)、オリングサポート (23) およびオリング (24) をチューブ (21) に装着します。0.2-2 μL モデルについては、チューブ (27) をチューブ (21) に挿入します。次にスプリング (13)、スプリングサポート (16) とチューブ (17 および 18)、大きい方のオリング (19) と小さい方のオリング (20) をピistonに装着します。ピistonとスプリングサポート (16) を指で挟んで押し、スプリングを圧縮し、チューブ (21) を残りの部品とともにピistonに装着します。スプリングを圧縮した状態のまま、アセンブリ全体をチップコーンの中に注意深く装着し、スプリングを緩めます。

2-20 μL および 5-50 μL : スプリング (13)、スプリングサポート (16) とチューブ (17 および 18)、大きい方のオリング (19) および小さい方のオリング (20) をピistonに元通りに装着します。ピistonとスプリングサポート (16) を指で挟んで押し、スプリングを圧縮し、大きい方のオリング (19)、小さい方のオリング (20)、スプリングサポート (21) およびスプリング (22) (スプリングサポート (21) より直径が小さい) をピistonに装着します。スプリングを圧縮した状態のまま、アセンブリ全体をチップコーンの中に注意深く装着し、スプリングを緩めます。

10-100 μL および 20-200 μL : スプリング (13)、スプリングサポート (16) およびオリング (17) をピistonに元通りに装着します。アセンブリ全体をチップコーンの中に押し入れます。

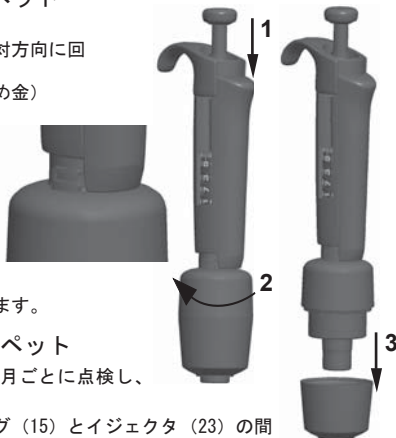


100-1000 μL : オリング (17) とサポートリング (16) をチップコーンに取り付けます。スプリング (13) をピストンに装着し、組立部全体をチップコーンの中に押し入れます。

- 共通 : スプリング15とサポート14をチップコーンの上部に置き、チップコーンアセンブリをハンドルに慎重に挿入します。チップコーンを最初に時計回りに回しながら手で締めつけ、それからサービスツールで最後に締めます。
- チップイジェクタを元通りに組み立てます。

0.5-5 ml および 1-10 ml のピペット

- チップイジェクタを押し下げます。
- チップイジェクタ (10) を時計と反対方向に回して開けます。
- チップイジェクタの下部 (14) (留め金) を分解します。
- シリンダー (13) を時計と反対方向に回し、チップコーンアセンブリを引き出します。
- シリンダーの留め金を押して、シリンダー (13) を外します。
- オリング (12) およびシリンダー (13) をきれいに拭き、グリースを塗ります。
- 分解の逆の手順でパーツを組み立てます。



長期点検、マルチチャンネルピペット

日常的にピペットをご使用の場合、3か月ごとに点検し、グリースを塗る必要があります。

- サービスツールのヘッドNO.1をリング (15) とイジェクタ (23) の間に差し入れます。これらの部品がバチンと外れるまでツールを押し下す。
- イジェクタレバーが上がった状態であることを確認し、モジュールのチップイジェクタ部を引き下げます。サービスツールのヘッドNO.2をアダプタチューブ (46) の穴に差し入れます。
- チップイジェクタの上端をわずかに開き、チップイジェクタを外します。
- ハンドルのモジュールのねじを外します。
- モジュールスプリング (19) およびクリップ (22) を引き出します。
- スプリング (13) を押し下げて、固定用パーツ (12) を溝から外します。スプリング (13) を外します。
- 固定ツメ (44および45) を外し、アダプタチューブとチューブ (43) を引き出します。
- ドライバーを使ってモジュールカバーの4本のねじを外し、カバーを外します。
- ピストンカバーを外し、けばのない乾いた布でピストンとチップコーンをきれいに拭きます。
- 必要に応じてチップコーンを点検します。

16チャンネルの 1-10 μL : チップコーンの点検はできません。必要に応じて交換してください。

30-300 μL 、10-100 μL および 5-50 μL : ドライバーを使ってカバーリングをスナップジョイントから注意深く外し、チップコーンを開きます。チップコーンからすべての部品を外します。すべてのパーツをきれいに拭きます。必要に応じてオリングを交換します。ピストンを1つ取ります。スプリング (33)、カバーリング (32) (穴の大きいもの)、スプリング (34)、サポートリング (35)、(5-50 μL /10-100 μL の場合:大きい方のオリング (37)) およびオリング (36) (小さい方) をピストンに装着します。ピペットのパッケージに付属しているグリースをオリングに塗ります。すべてのパーツをチップコーンに押し入れて、カバーリングのスナップジョイントを閉じます。

1-10 μL : ドライバーを使ってカバーリングをスナップジョイントから注意深く外し、チップコーンを開きます。チップコーンからすべてのパーツを外します。すべてのパーツをきれいに拭きます。必要に応じてオリングを交換します。ピストンを1つ取ります。スプリング (33)、カバーリング (32) (穴の大きなもの)、サポート (35)、大きい方のオリング (36)、小さい方のオリング (37) およびオリングサポート (38) をピストンに装着します。次に、スプリング (39)、スプリングサポート (40) (尖った側から) およびオリング (41) をオリングサポート (38) に装着します。ピペットのパッケージに付属しているグリースをオリングに塗ります。すべてのパーツをチップコーンに押し入れて、カバーリングのスナップジョイントを閉じます。

11. ピストンとチップコーンとともにピストンバーをカバーの中に取り付けてください。モジュールを組み立てるときは、同じ側面に調整金具を取り付けてください。4本のねじでカバーを閉じます。クリップ (22) を挿入します。
12. アダプタチューブとチューブ (43) をモジュールのネックの部分に置き、固定ツメ (44および45) を挿入します。モジュールスプリング (19) を挿入します。
13. スプリング (13) と固定用パーツ (12) をピストン棒 (16) に挿入します。
14. チップイジェクタをモジュールの上に置きます。スプリング (19) をチップイジェクタに押し入れ、イジェクタの上端部を指で覆って閉じた状態にします。
15. サービスツールのヘッドNO. 2を使ってモジュールをハンドルの中にねじ止めます。
16. チップイジェクタのレバーをカチッという音がするまで押し下げます。

マルチチャンネルピペット用チップコーンの点検について

マルチチャンネルピペットのすべてのチャンネルで均一な性能を実現するため、いずれかのチップコーンを交換する必要がある場合、すべてのチップコーンを同時に交換する必要があります。交換用パーツのパッケージにはセットされたチップコーンが入っているため、別のパッケージのチップコーンを混ぜて使用しないでください。モジュールを組み立てるときは、同じ側面に調整金具を取り付けてください。71ページの図を参照してください。

滅菌

フィンピペットF2は121°C (252 °F) (2 ata)で20分間オートクレーブ滅菌することができます。必要に応じて滅菌バッグをご使用ください。オートクレーブ滅菌後は、ピペットが室温に戻るまで少なくとも2時間冷却してください。ピペットを使う前に、ピペットが乾いているかどうかを確認してください。滅菌後は、毎回キャリブレーションを実施することをお勧めします。

トラブルシューティング

症状	原因	対処方法
液漏れ	<p>チップが正しく装着されていない</p> <p>チップコーンとチップの間に異物がある</p> <p>ピストン、O-リング及びシリンダの間に異物がある</p> <p>グリース切れ</p> <p>O-リングの磨耗</p> <p>操作が正しく行われていない</p>	<p>チップをしっかり装着する。</p> <p>チップコーンをきれいにし、新しいチップを装着する。</p> <p>ピストン、O-リングとシリンダをきれいにし、グリースを塗る。</p> <p>O-リング、シリンダ、ピストンにグリースを塗る。</p> <p>O-リングを交換する。</p> <p>取扱説明書にしたがって注意深く操作する。</p>
分注精度が悪い	<p>チップが正しく装着されていない</p> <p>キャリブレーションのずれ (誤操作などのため)</p> <p>チップコーン (シングルチャンネル) またはモジュール (マルチチャンネル) がゆるい</p>	<p>チップをしっかり装着する。</p> <p>取扱説明書にしたがってキャリブレーションを行う。</p> <p>サービスツールでチップコーンまたはモジュールを締めます</p>
ピストンが詰まった	<p>ピペットがしばらくの間使用されていません</p> <p>揮発性の高い溶剤を繰り返しピペットで取り、グリースを取り除きます</p>	<p>チップが付いている場合、取り外します。プランジャーを2段目まで押し下げ、数回離してグリースを再度塗布します。</p>
特定の液体の分注精度が悪い	<p>不適切なキャリブレーション (粘性の高い液体はその液体でキャリブレーションを行う必要がある)</p>	<p>分注する液体を使用してキャリブレーションを行う。</p>

保証規定

万一、故障、不具合が生じた場合には、下記の規定に従って修理させていただきます。ご購入いただきました販売店または下記の輸入販売元にお申し付けください。

保証期間	ご購入の日から3年間（但し、Web登録した場合は5年間。 保証登録URL: www.thermofisher.co.jp/finn/w ）
保証書	同封の「Finnpipette Warranty Certificate(英文)」が保証書となります。 紛失しないよう大切に保管してください。
無償修理の範囲	以下の条件を満たす場合は、無償で修理いたします。 <ol style="list-style-type: none">1. 保証期間内であること。2. 保証書（Finnpipette Warranty Certificate, 英文）の添付があること。3. 本取扱説明書にしたがい、通常の用法でご使用の場合。4. フィンピペットに、純正フィンチップを組合せてご使用の場合。5. その他製造上、材質上の欠陥が原因と認められた場合。
有償修理の範囲	以下の場合の修理は、保証期間内であっても、有償とさせていただきます。 <ol style="list-style-type: none">1. 誤った使用が原因の故障または損傷。2. 不当な修理改造による故障または損傷。3. 納品後の移動、輸送あるいは落下が原因の場合。4. 火災、天災地変その他不可抗力の災害による場合。5. 過度の使用が原因の摩耗、損傷。6. O-リング等の消耗部品の摩耗。7. キャリブレーションまたはクリーニングを依頼される場合。8. 物理的損傷または化学薬品による損傷。9. 保証書（Finnpipette Warranty Certificate, 英文）の添付がない場合。
輸入販売元	サーモフィッシャーサイエンティフィック株式会社 ラボプロダクツ事業本部 〒221-0022 横浜市神奈川区守屋町3-9 C棟 問合せ先 フィンピペットサービス TEL 045-453-9227 FAX 045-453-9228

注意!

フィンピペットは、ユーザーの皆様自身で簡単にメンテナンスしていただけるように設計されています。

修理や検定のために販売元へ返をされる場合には、返送前に必ず汚染除去/消毒を行ってください。

Conversion table

Value of the conversion factor Z ($\mu\text{l}/\text{mg}$), as a function of temperature and pressure, for distilled water.

Umrechnungstabelle

Wert des Umrechnungsfaktors Z ($\mu\text{l}/\text{mg}$) als eine Funktion von Temperatur und Druck für destilliertes Wasser.

Table de conversion

Valeur du facteur de conversion Z ($\mu\text{l}/\text{mg}$), comme fonction de la température et de la pression, pour de l'eau distillée.

Tabla de conversiones

Valor del factor de conversión Z ($\mu\text{l}/\text{mg}$), como función de temperatura y presión, para el agua destilada.

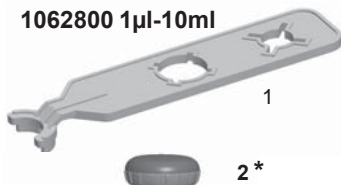
変換係数表

変換係数 Z ($\mu\text{l}/\text{mg}$)は温度と気圧の関数になります。蒸留水の場合の値を表に示します。

Temperature °C	Air pressure kPa						
	80	85	90	95	100	101,3	105
15,0	1,0017	1,0018	1,0019	1,0019	1,0020	1,0020	1,0020
15,5	1,0018	1,0019	1,0019	1,0020	1,0020	1,0020	1,0021
16,0	1,0019	1,0020	1,0020	1,0021	1,0021	1,0021	1,0022
16,5	1,0020	1,0020	1,0021	1,0021	1,0022	1,0022	1,0022
17,0	1,0021	1,0021	1,0022	1,0022	1,0023	1,0023	1,0023
17,5	1,0022	1,0022	1,0023	1,0023	1,0024	1,0024	1,0024
18,0	1,0022	1,0023	1,0023	1,0024	1,0025	1,0025	1,0025
18,5	1,0023	1,0024	1,0024	1,0025	1,0025	1,0026	1,0026
19,0	1,0024	1,0025	1,0025	1,0026	1,0026	1,0027	1,0027
19,5	1,0025	1,0026	1,0026	1,0027	1,0027	1,0028	1,0028
20,0	1,0026	1,0027	1,0027	1,0028	1,0028	1,0029	1,0029
20,5	1,0027	1,0028	1,0028	1,0029	1,0029	1,0030	1,0030
21,0	1,0028	1,0029	1,0029	1,0030	1,0031	1,0031	1,0031
21,5	1,0030	1,0030	1,0031	1,0031	1,0032	1,0032	1,0032
22,0	1,0031	1,0031	1,0032	1,0032	1,0033	1,0033	1,0033
22,5	1,0032	1,0032	1,0033	1,0033	1,0034	1,0034	1,0034
23,0	1,0033	1,0033	1,0034	1,0034	1,0035	1,0035	1,0036
23,5	1,0034	1,0035	1,0035	1,0036	1,0036	1,0036	1,0037
24,0	1,0035	1,0036	1,0036	1,0037	1,0037	1,0038	1,0038
24,5	1,0037	1,0037	1,0038	1,0038	1,0039	1,0039	1,0039
25,0	1,0038	1,0038	1,0039	1,0039	1,0040	1,0040	1,0040
25,5	1,0039	1,0040	1,0040	1,0041	1,0041	1,0041	1,0042
26,0	1,0040	1,0041	1,0041	1,0042	1,0042	1,0043	1,0043
26,5	1,0042	1,0042	1,0043	1,0043	1,0044	1,0044	1,0044
27,0	1,0043	1,0044	1,0044	1,0045	1,0045	1,0045	1,0046
27,5	1,0045	1,0045	1,0046	1,0046	1,0047	1,0047	1,0047
28,0	1,0046	1,0046	1,0047	1,0047	1,0048	1,0048	1,0048
28,5	1,0047	1,0048	1,0048	1,0049	1,0049	1,0050	1,0050
29,0	1,0049	1,0049	1,0050	1,0050	1,0051	1,0051	1,0051
29,5	1,0050	1,0051	1,0051	1,0052	1,0052	1,0052	1,0053
30,0	1,0052	1,0052	1,0053	1,0053	1,0054	1,0054	1,0054

Spare parts
Ersatzteile
Pieces detachees
Piezas de recambio
 パーツ及び付属品

1062800 1µl-10ml

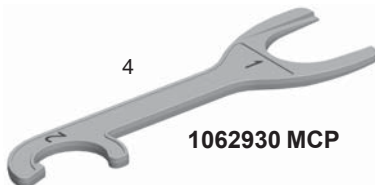


1



2*

4



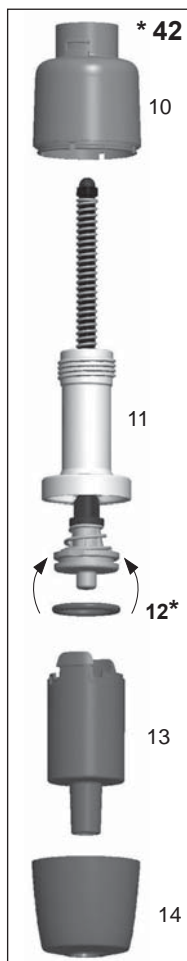
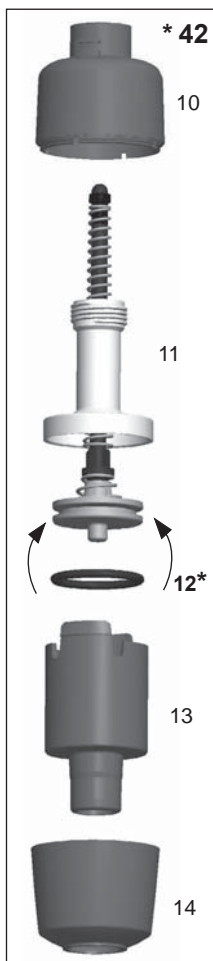
1062930 MCP



3*

1-10 ml
10 ml Fixed

0.5-5 ml
2-5 ml Fixed



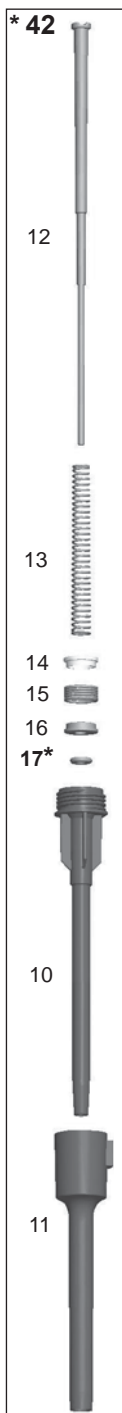
- * 2. Cap
- * 3. Handle
- * 12. O-ring
- * 42. Tip Cone assy

- 2. 2211810 Fix 1-10ml
- 2. 2211590 10ml
- 2. 2211580 5ml
- 3. 2213260 1-10ml
- 3. 2213250 0,5-5ml
- 3. 2213450 Fix 10ml
- 3. 2213440 Fix 5ml
- 3. 2213430 Fix 3ml
- 3. 2213420 Fix 2ml
- 12. 1033050 10ml
- 12. 1030230 5ml
- 42. 2211670 1-10ml
- 42. 2211920 Fix 6-10ml
- 42. 2211660 0,5-5ml
- 42. 2211910 Fix 2-5ml

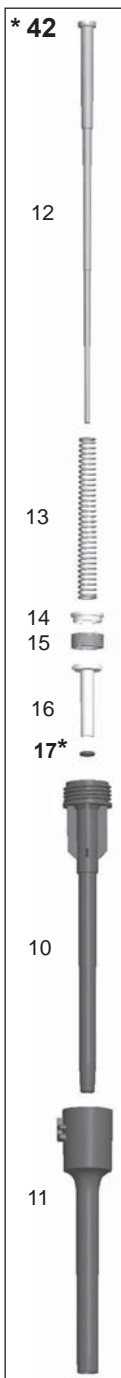
100-1000µl
250 / 500 / 1000µl
Fixed



20-200µl
200µl Fixed



10-100µl
25 / 50 / 100µl
Fixed



- * 2. Cap
- * 3. Handle
- * 17. O-ring
- * 42. Tip Cone assy

100-1000µl
250 µl Fixed
500 µl Fixed
1000µl Fixed

- 2. 2211570 100-1000µl
- 3. 2213240 100-1000µl
- 3. 2213410 Fix 1000µl
- 3. 2213400 Fix 500µl
- 3. 2213390 Fix 250µl
- 17. 1030020
- 42. 2211640

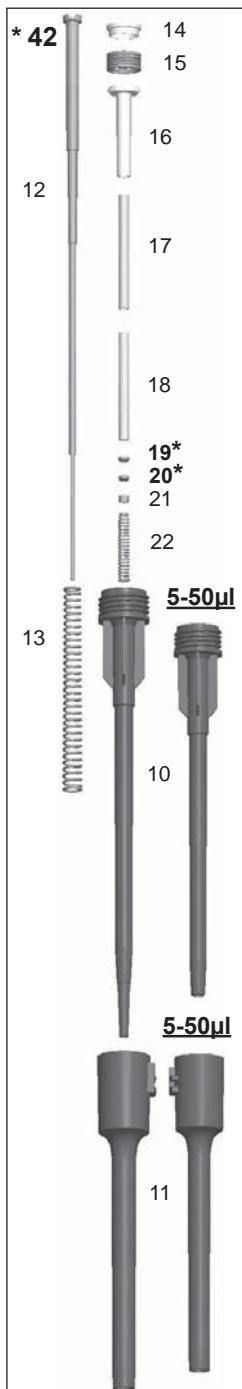
20-200µl
200 µl Fixed

- 2. 2211550 20-200µl
- 3. 2213230 20-200µl
- 3. 2213120 Fix 200µl
- 17. 1030160
- 42. 2211630

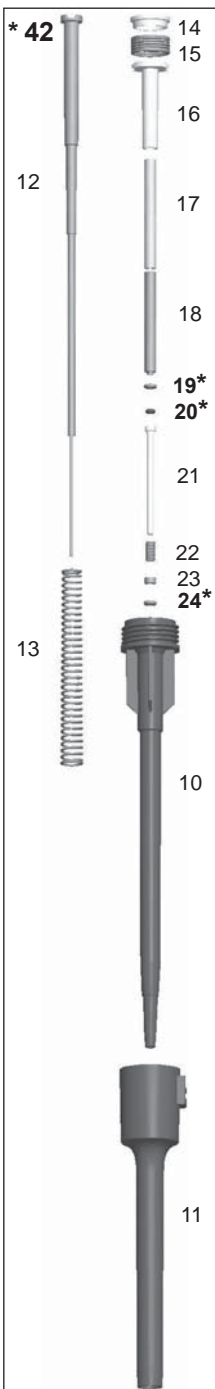
10-100µl
25 µl Fixed
50 µl Fixed
100 µl Fixed

- 2. 2211550 10-100µl
- 3. 2213220 10-100µl
- 3. 2213380 Fix 100µl
- 3. 2213370 Fix 50µl
- 3. 2213360 Fix 25µl
- 17. 1030510
- 42. 2211620

2-20µl / 2-20µl Micro
5-50µl / 5-50µl Micro
20µl Fixed



1-10µl / 1-10µl Micro
10µl Fixed



- * 2. Cap
- * 3. Handle
- * 19. O-ring
- * 20. O-ring
- * 24. O-ring
- * 42. Tip Cone assy

2-20µl
2-20 µl Micro
20 µl Fixed

- 2. 2211550 2-20µl
- 2. 2211560 2-20µl Micro
- 3. 2213210 2-20µl
- 3. 2213200 2-20µl Micro
- 3. 2213110 Fix 20µl
- 19. 1030380
- 20. 1033110
- 42. 2211610 2-20µl
- 42. 2211610 Fix 20µl
- 42. 2211600 2-20µl Micro

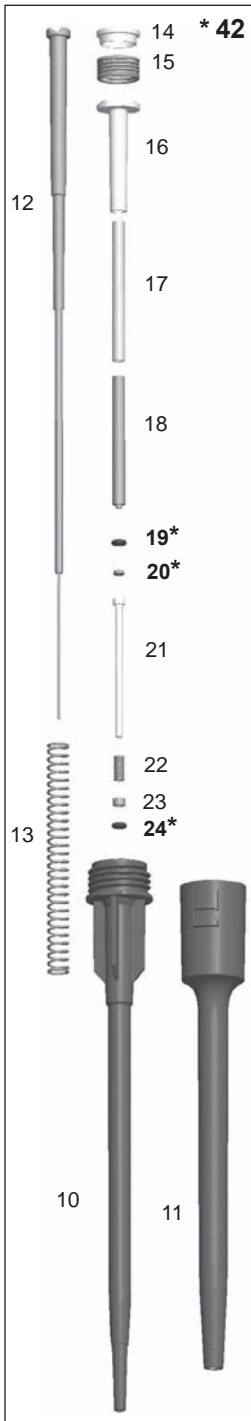
5-50µl
5-50 µl Micro

- 2. 2211550 5-50µl
- 2. 2211560 5-50µl Micro
- 3. 2213270 5-50µl
- 3. 2213300 5-50µl Micro
- 19. 1030500
- 20. 1033060
- 42. 2213010 5-50µl
- 42. 2212990 5-50µl Micro

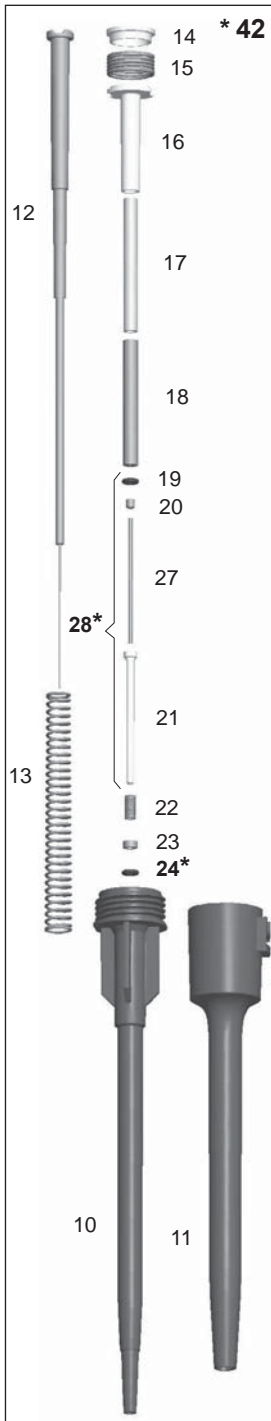
1-10µl
1-10 µl Micro
10 µl Fixed

- 2. 2211550 1-10µl
- 2. 2211520 1-10µl Micro
- 3. 2213190 1-10µl
- 3. 2213180 1-10µl Micro
- 3. 2213350 Fix 10µl
- 19. 1030380
- 20. 1030060
- 24. 1030170
- 42. 2211540
- 42. 2211510 1-10µl Micro
- 42. 2211510 Fix 10µl

0,5-5 µl / 5 µl Fixed



0,2-2 µl / 1 µl Fixed



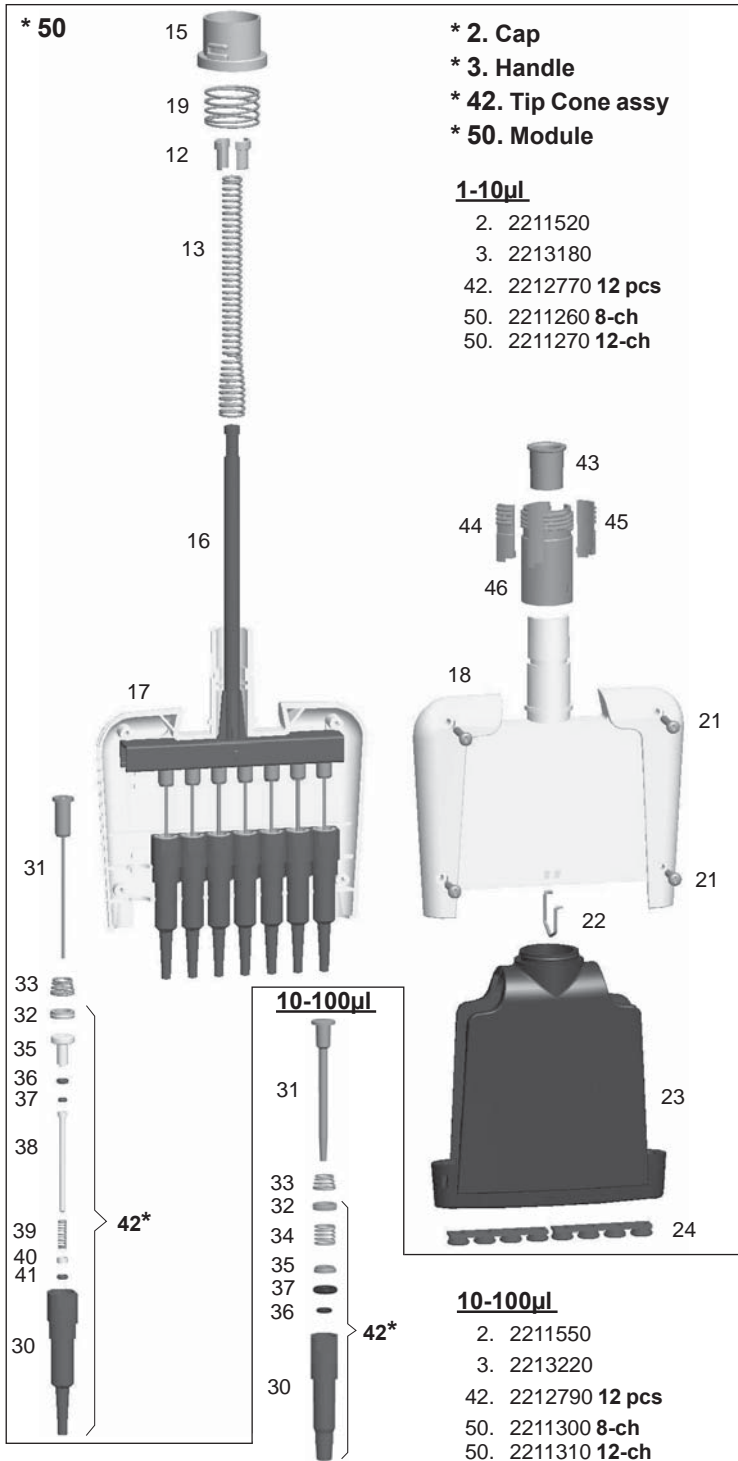
- * 2. Cap
- * 3. Handle
- * 19. O-ring
- * 20. O-ring
- * 24. O-ring
- * 28. Sealing
Combination
- * 42. Tip Cone assy

0,5-5 µl 5 µl Fixed

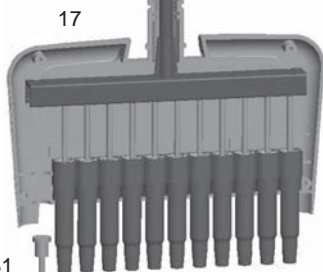
- 2. 2211520 0,5-5µl
- 3. 2213170 0,5-5µl
- 3. 2213340 Fix 5µl
- 19. 1030380
- 20. 1033160
- 24. 1030170
- 42. 2211900

0,2-2 µl 1 µl Fixed

- 2. 2211520 0,2-2µl
- 3. 2213160 0,2-2µl
- 3. 2213330 Fix 1µl
- 24. 1030170
- 28. 2205730
- 42. 2211890



* 50



31

33

32

34

35

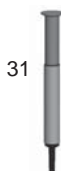
37

36

30

42*

30-300µl



31

33

32

34

35

36

30

42*

* 2. Cap

* 3. Handle

* 42. Tip Cone assy

* 50. Module

5-50µl

2. 2211560

3. 2213270

42. 2212780 12 pcs

50. 2211280 8-ch

50. 2211290 12-ch

43

44

45

46

18

21

21

22

23

30-300µl

2. 2211680

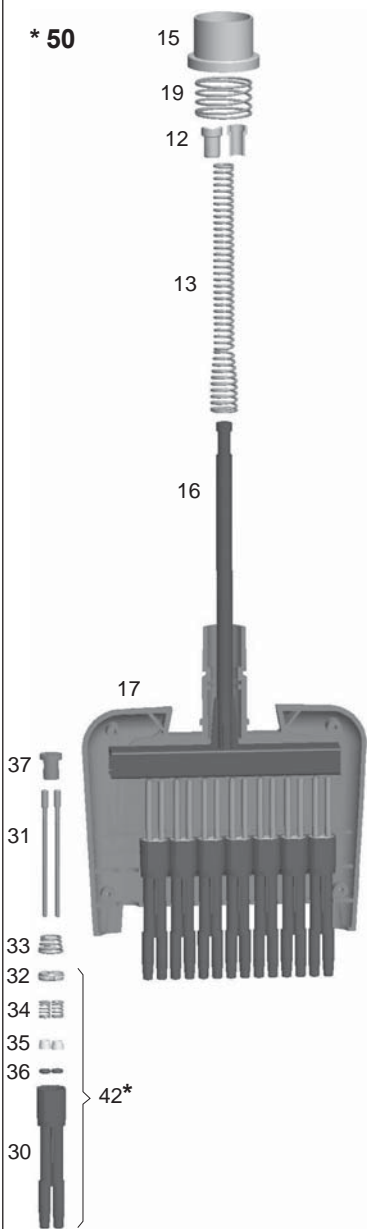
3. 2213280

42. 2212800 12 pcs

50. 2211320 8-ch

50. 2211330 12-ch

*** 50**



*** 2. Cap**

*** 3. Handle**

*** 42. Tip Cone assy**

*** 50. Module**

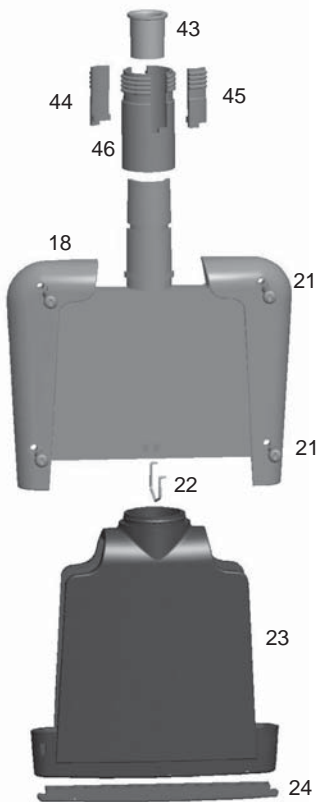
5-50 μ l 16-ch

2. 2211560

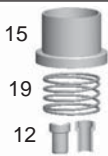
3. 2213300

42. 2212810 **8 pcs**

50. 2211350



*** 50**



13

16

17

37

31

33

42*

*** 2. Cap**

*** 3. Handle**

*** 42. Tip Cone assy**

*** 50. Module**

1-10µl 16-ch

2. 2211800

3. 2213290

42. 2212820 **8 pcs**

50. 2211340



**Picture / Abbildung / Illustration /
Imagem / 图**



	Finntip (sterile and non-sterile)															
	10 Micro	10 Flex micro	20 Micro	50 Micro	250 Univ	200 Ext	200 Flex	300	300 Flex	1000 Ext	1000	1000 Flex	1200 Flex	5 ml	10ml	10ml Flex Ext
FP F2 0.2 - 2 µl	•	•	•	•												
FP F2 0.5 - 5 µl	•	•	•	•												
FP F2 1 - 10 µl micro	•	•	•	•												
FP F2 1 - 10 µl					•	•	•	•	•							
FP F2 2 - 20 µl micro			•	•												
FP F2 2 - 20 µl					•	•	•	•	•							
FP F2 5 - 50 µl micro				•												
FP F2 5 - 50 µl					•	•	•	•	•							
FP F2 10 - 100 µl					•	•	•	•	•							
FP F2 20 - 200 µl					•	•	•	•	•							
FP F2 100 - 1000 µl										•	•	•	•			
FP F2 0.5 - 5 ml														•		
FP F2 1 - 10 ml															•	•
FP F2 Fixed Volume 1 µl	•	•	•	•												
FP F2 Fixed Volume 5 µl	•	•	•	•												
FP F2 Fixed Volume 10 µl					•	•	•	•	•							
FP F2 Fixed Volume 20 µl					•	•	•	•	•							
FP F2 Fixed Volume 25 µl					•	•	•	•	•							
FP F2 Fixed Volume 50 µl					•	•	•	•	•							
FP F2 Fixed Volume 100 µl					•	•	•	•	•							
FP F2 Fixed Volume 200 µl					•	•	•	•	•							
FP F2 Fixed Volume 250 µl										•	•	•	•			
FP F2 Fixed Volume 500 µl										•	•	•	•			
FP F2 Fixed Volume 1000 µl										•	•	•	•			
FP F2 Fixed Volume 2000 µl														•		
FP F2 Fixed Volume 3000 µl														•		
FP F2 Fixed Volume 5000 µl														•		
FP F2 Fixed Volume 10000 µl															•	•
FP F2 8-Ch 1-10 µl	•	•	•	•												
FP F2 12-Ch 1-10 µl	•	•	•	•												
FP F2 8-Ch 5-50 µl					•	•	•	•	•							
FP F2 12-Ch 5-50 µl					•	•	•	•	•							
FP F2 8-Ch 10-100 µl					•	•	•	•	•							
FP F2 12-Ch 10-100 µl					•	•	•	•	•							
FP F2 8-Ch 30-300 µl									•	•						
FP F2 12-Ch 30-300 µl									•	•						
FP F2 16-Ch 1-10 µl			•	•												
FP F2 16-Ch 5-50 µl				•												

Tip Ordering Information
Bestellinformation: Pipettenspitzen
Renseignements pour commander des cônes
Información para pedidos del portapuntas
チップの注文について

Code	Finntip	Volume	Qty
* 9400300	10 Micro	0,2-10 µl	10x96/rack
9400303	10 Micro sterile	0,2-10 µl	10x96/rack
* 94060100	Flex 10	0,2-10 µl	10x96/rack
94060103	Flex 10 sterile	0,2-10 µl	10x96/rack
* 9400610	20 Micro	0,2-20 µl	10x384/rack
9400613	20 Micro sterile	0,2-20 µl	10x384/rack
* 9400370	50 Micro	0,2-50 µl	10x384/rack
9400373	50 Micro sterile	0,2-50 µl	10x384/rack
* 9400130	200 Ext	5-200 µl	10x96/rack
9400133	200 Ext sterile	5-200 µl	10x96/rack
* 94060310	Flex 200	1-200 µl	10x96/rack
94060313	Flex 200 sterile	1-200 µl	10x96/rack
* 9400260	250 Univ.	0,5-250 µl	10x96/rack
9400263	250 Univ. sterile	0,5-250 µl	10x96/rack
* 9401250	300	5-300 µl	10x96/rack
9401253	300 sterile	5-300 µl	10x96/rack
* 94060510	Flex 300	5-300 µl	10x96/rack
94060513	Flex 300 sterile	5-300 µl	10x96/rack
* 9401110	1000	100-1000 µl	10x96/rack
9401113	1000 sterile	100-1000 µl	10x96/rack
* 94060710	Flex 1000	100-1000 µl	10x96/rack
94060713	Flex 1000 sterile	100-1000 µl	10x96/rack
* 9402070	5 ml	1-5 ml	5x54/rack
9402073	5 ml sterile	1-5 ml	5x54/rack
* 9402160	10 ml	1-10 ml	5x24/rack
9402163	10 ml sterile	1-10 ml	5x24/rack
94060970	Flex 10ml Ext	1-10 ml	100 pcs/bag
94060973	Flex 10ml Ext sterile	1-10 ml	50 pcs/bag

*** Also available in bags**

Code	Finntip Filter	Volume	Qty
94052000	10 Micro sterile	0,2-10 µl	10x96/rack
94056980	Flex 10 sterile	0,2-10 µl	10x96/rack
94052100	10 sterile	0,5-10 µl	10x96/rack
94052020	20 Micro sterile	0,2-20 µl	10x384/rack
94052150	20 sterile	0,5-20 µl	10x96/rack
94052160	30 sterile	0,5-30 µl	10x96/rack
94056510	Flex 30 sterile	5-30 µl	10x96/rack
94052060	50 Micro sterile	0,2-50 µl	10x384/rack
94052200	100 µl sterile	0,5-100 µl	10x96/rack
94052310	100 µl Ext sterile	5-100 µl	10x96/rack
94056520	Flex 100 sterile	5-100 µl	10x96/rack
94052300	200 µl sterile	0,5-200 µl	10x96/rack
94052320	200 µl Ext sterile	5-200 µl	10x96/rack
94056380	Flex 200 sterile	1-200 µl	10x96/rack
94052350	300 µl sterile	5-300 µl	10x96/rack
94056580	Flex 300 sterile	5-300 µl	10x96/rack
94052410	1000 µl sterile	100-1000 µl	10x96/rack
94052430	1000 µl Ext sterile	100-1000 µl	5x96/rack
94056710	Flex 1000 sterile	100-1000 µl	10x96/rack
94052550	5 ml sterile	1-5 ml	5x54/rack
94052600	10 ml sterile	1-10 ml	5x24/rack
94056970	Flex 10 ml Ext sterile	1-10 ml	50/bag

thermoscientific.com
info.pipettes@thermofisher.com

© 2015 Thermo Fisher Scientific Inc. All rights reserved. All trademarks are the property of Thermo Fisher Scientific Inc. and its subsidiaries. Specifications, terms and pricing are subject to change. Not all products are available in all countries. Please consult your local sales representative for details.

Thermo Fisher Scientific

Ratastie 2, P.O.Box 100

FI-01621 Vantaa

Finland

1508700-11

Thermo
S C I E N T I F I C
Part of Thermo Fisher Scientific